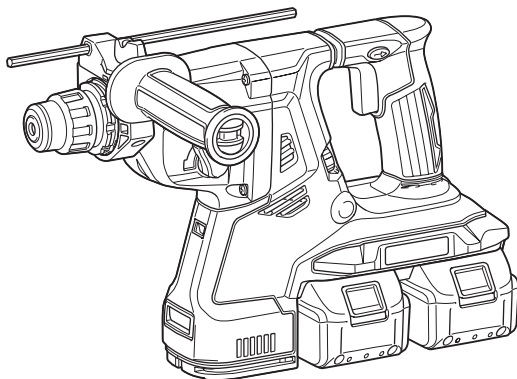


**INSTRUCTION MANUAL
MANUEL D'INSTRUCTION
MANUAL DE INSTRUCCIONES**



Cordless Combination Hammer Marteau Combiné sans Fil Martillo Rotativo Combinado Inalámbrico

**DHR280
DHR281
DHR282
DHR283**



IMPORTANT: Read Before Using.

IMPORTANT : Lire avant usage.

IMPORTANTE: Lea antes de usar.

SPECIFICATIONS

Model:		DHR280	DHR281	DHR282	DHR283
Capacities	Concrete	28 mm (1-1/8")			
	Core bit	54 mm (2-1/8")			
	Diamond core bit (dry type)	65 mm (2-9/16")			
	Steel	13 mm (1/2")			
	Wood	32 mm (1-1/4")			
No load speed		0 - 980/min			
Blows per minute		0 - 5,000/min			
Overall length		373 mm (14-3/4")	404 mm (15-7/8")	373 mm (14-3/4")	404 mm (15-7/8")
Rated voltage		D.C. 36 V			
Net weight		3.9 - 5.1 kg (8.6 - 11.2 lbs)			

Optional accessory

Model:		DX08 (For DHR280/DHR282)	DX09 (For DHR281/DHR283)
Suction performance		350 l/min	
Operating stroke		Up to 190 mm (7-1/2")	
Suitable drill bit		Up to 260 mm (10-1/4")	
Rated voltage		D.C. 18 V	
Net weight		1.6 kg (3.5 lbs)	

- Due to our continuing program of research and development, the specifications herein are subject to change without notice.
- Specifications and battery cartridge may differ from country to country.
- The weight may differ depending on the attachment(s), including the battery cartridge. The lightest and heaviest combination, according to EPTA-Procedure 01/2014, are shown in the table.

Applicable battery cartridge

BL1815N / BL1820B / BL1830 / BL1830B / BL1840B / BL1850B / BL1860B

- Some of the battery cartridges listed above may not be available depending on your region of residence.

⚠ WARNING: Only use the battery cartridges listed above. Use of any other battery cartridges may cause injury and/or fire.

SAFETY WARNINGS

General power tool safety warnings

⚠ WARNING: Read all safety warnings, instructions, illustrations and specifications provided with this power tool. Failure to follow all instructions listed below may result in electric shock, fire and/or serious injury.

Save all warnings and instructions for future reference.

The term "power tool" in the warnings refers to your mains-operated (corded) power tool or battery-operated (cordless) power tool.

Work area safety

1. **Keep work area clean and well lit.** Cluttered or dark areas invite accidents.

2. **Do not operate power tools in explosive atmospheres, such as in the presence of flammable liquids, gases or dust.** Power tools create sparks which may ignite the dust or fumes.
3. **Keep children and bystanders away while operating a power tool.** Distractions can cause you to lose control.

Electrical Safety

1. **Power tool plugs must match the outlet. Never modify the plug in any way. Do not use any adapter plugs with earthed (grounded) power tools.** Unmodified plugs and matching outlets will reduce risk of electric shock.
2. **Avoid body contact with earthed or grounded surfaces, such as pipes, radiators, ranges and refrigerators.** There is an increased risk of electric shock if your body is earthed or grounded.
3. **Do not expose power tools to rain or wet conditions.** Water entering a power tool will increase the risk of electric shock.

4. **Do not abuse the cord. Never use the cord for carrying, pulling or unplugging the power tool. Keep cord away from heat, oil, sharp edges or moving parts.** Damaged or entangled cords increase the risk of electric shock.
5. **When operating a power tool outdoors, use an extension cord suitable for outdoor use.** Use of a cord suitable for outdoor use reduces the risk of electric shock.
6. **If operating a power tool in a damp location is unavoidable, use a ground fault circuit interrupter (GFCI) protected supply.** Use of a GFCI reduces the risk of electric shock.
7. **Power tools can produce electromagnetic fields (EMF) that are not harmful to the user.** However, users of pacemakers and other similar medical devices should contact the maker of their device and/or doctor for advice before operating this power tool.

Personal Safety

1. **Stay alert, watch what you are doing and use common sense when operating a power tool. Do not use a power tool while you are tired or under the influence of drugs, alcohol or medication.** A moment of inattention while operating power tools may result in serious personal injury.
2. **Use personal protective equipment. Always wear eye protection.** Protective equipment such as dust mask, non-skid safety shoes, hard hat, or hearing protection used for appropriate conditions will reduce personal injuries.
3. **Prevent unintentional starting. Ensure the switch is in the off-position before connecting to power source and/or battery pack, picking up or carrying the tool.** Carrying power tools with your finger on the switch or energising power tools that have the switch on invites accidents.
4. **Remove any adjusting key or wrench before turning the power tool on.** A wrench or a key left attached to a rotating part of the power tool may result in personal injury.
5. **Do not overreach. Keep proper footing and balance at all times.** This enables better control of the power tool in unexpected situations.
6. **Dress properly. Do not wear loose clothing or jewellery. Keep your hair, clothing and gloves away from moving parts.** Loose clothes, jewellery or long hair can be caught in moving parts.
7. **If devices are provided for the connection of dust extraction and collection facilities, ensure these are connected and properly used.** Use of dust collection can reduce dust-related hazards.
8. **Do not let familiarity gained from frequent use of tools allow you to become complacent and ignore tool safety principles.** A careless action can cause severe injury within a fraction of a second.
9. **Always wear protective goggles to protect your eyes from injury when using power tools. The goggles must comply with ANSI Z87.1 in the USA.**
It is an employer's responsibility to enforce the use of appropriate safety protective equipments by the tool operators and by other persons in the immediate working area.

Power tool use and care

1. **Do not force the power tool. Use the correct power tool for your application.** The correct power tool will do the job better and safer at the rate for which it was designed.
2. **Do not use the power tool if the switch does not turn it on and off.** Any power tool that cannot be controlled with the switch is dangerous and must be repaired.
3. **Disconnect the plug from the power source and/or remove the battery pack, if detachable, from the power tool before making any adjustments, changing accessories, or storing power tools.** Such preventive safety measures reduce the risk of starting the power tool accidentally.
4. **Store idle power tools out of the reach of children and do not allow persons unfamiliar with the power tool or these instructions to operate the power tool.** Power tools are dangerous in the hands of untrained users.
5. **Maintain power tools and accessories. Check for misalignment or binding of moving parts, breakage of parts and any other condition that may affect the power tool's operation. If damaged, have the power tool repaired before use.** Many accidents are caused by poorly maintained power tools.
6. **Keep cutting tools sharp and clean.** Properly maintained cutting tools with sharp cutting edges are less likely to bind and are easier to control.
7. **Use the power tool, accessories and tool bits etc. in accordance with these instructions, taking into account the working conditions and the work to be performed.** Use of the power tool for operations different from those intended could result in a hazardous situation.
8. **Keep handles and grasping surfaces dry, clean and free from oil and grease.** Slippery handles and grasping surfaces do not allow for safe handling and control of the tool in unexpected situations.
9. **When using the tool, do not wear cloth work gloves which may be entangled.** The entanglement of cloth work gloves in the moving parts may result in personal injury.

Battery tool use and care

1. **Recharge only with the charger specified by the manufacturer.** A charger that is suitable for one type of battery pack may create a risk of fire when used with another battery pack.
2. **Use power tools only with specifically designated battery packs.** Use of any other battery packs may create a risk of injury and fire.
3. **When battery pack is not in use, keep it away from other metal objects, like paper clips, coins, keys, nails, screws or other small metal objects, that can make a connection from one terminal to another.** Shorting the battery terminals together may cause burns or a fire.
4. **Under abusive conditions, liquid may be ejected from the battery; avoid contact. If contact accidentally occurs, flush with water. If liquid contacts eyes, additionally seek medical help.** Liquid ejected from the battery may cause irritation or burns.
5. **Do not use a battery pack or tool that is damaged or modified.** Damaged or modified batteries may exhibit unpredictable behaviour resulting in fire, explosion or risk of injury.

6. **Do not expose a battery pack or tool to fire or excessive temperature.** Exposure to fire or temperature above 130 °C may cause explosion.
7. **Follow all charging instructions and do not charge the battery pack or tool outside the temperature range specified in the instructions.** Charging improperly or at temperatures outside the specified range may damage the battery and increase the risk of fire.
14. **Some material contains chemicals which may be toxic. Take caution to prevent dust inhalation and skin contact. Follow material supplier safety data.**
15. **Always be sure that the tool is switched off and the battery cartridge and the bit are removed before handing the tool to other person.**

Service

1. **Have your power tool serviced by a qualified repair person using only identical replacement parts.** This will ensure that the safety of the power tool is maintained.
2. **Never service damaged battery packs.** Service of battery packs should only be performed by the manufacturer or authorized service providers.
3. **Follow instruction for lubricating and changing accessories.**
4. **Do not modify or attempt to repair the appliance or the battery pack except as indicated in the instructions for use and care.**

CORDLESS ROTARY HAMMER SAFETY WARNINGS


1. **Wear ear protectors.** Exposure to noise can cause hearing loss.
2. **Use auxiliary handle(s), if supplied with the tool.** Loss of control can cause personal injury.
3. **Hold power tool by insulated gripping surfaces, when performing an operation where the cutting accessory may contact hidden wiring.** Cutting accessory contacting a "live" wire may make exposed metal parts of the power tool "live" and could give the operator an electric shock.
4. **Wear a hard hat (safety helmet), safety glasses and/or face shield. Ordinary eye or sun glasses are NOT safety glasses. It is also highly recommended that you wear a dust mask and thickly padded gloves.**
5. **Be sure the bit is secured in place before operation.**
6. **Under normal operation, the tool is designed to produce vibration. The screws can come loose easily, causing a breakdown or accident. Check tightness of screws carefully before operation.**
7. **In cold weather or when the tool has not been used for a long time, let the tool warm up for a while by operating it under no load. This will loosen up the lubrication. Without proper warm-up, hammering operation is difficult.**
8. **Always be sure you have a firm footing. Be sure no one is below when using the tool in high locations.**
9. **Hold the tool firmly with both hands.**
10. **Keep hands away from moving parts.**
11. **Do not leave the tool running. Operate the tool only when hand-held.**
12. **Do not point the tool at any one in the area when operating. The bit could fly out and injure someone seriously.**
13. **Do not touch the bit, parts close to the bit, or workpiece immediately after operation; they may be extremely hot and could burn your skin.**

SAVE THESE INSTRUCTIONS.

⚠ WARNING: DO NOT let comfort or familiarity with product (gained from repeated use) replace strict adherence to safety rules for the subject product. **MISUSE** or failure to follow the safety rules stated in this instruction manual may cause serious personal injury.

Symbols

The followings show the symbols used for tool.

v	volts
— — —	direct current
n _o	no load speed
.../min r/min	revolutions or reciprocation per minute
	number of blow

Important safety instructions for battery cartridge

1. **Before using battery cartridge, read all instructions and cautionary markings on (1) battery charger, (2) battery, and (3) product using battery.**
2. **Do not disassemble battery cartridge.**
3. **If operating time has become excessively shorter, stop operating immediately. It may result in a risk of overheating, possible burns and even an explosion.**
4. **If electrolyte gets into your eyes, rinse them out with clear water and seek medical attention right away. It may result in loss of your eyesight.**
5. **Do not short the battery cartridge:**
 - (1) **Do not touch the terminals with any conductive material.**
 - (2) **Avoid storing battery cartridge in a container with other metal objects such as nails, coins, etc.**
 - (3) **Do not expose battery cartridge to water or rain.**

A battery short can cause a large current flow, overheating, possible burns and even a breakdown.
6. **Do not store the tool and battery cartridge in locations where the temperature may reach or exceed 50 °C (122 °F).**

7. Do not incinerate the battery cartridge even if it is severely damaged or is completely worn out. The battery cartridge can explode in a fire.
8. Be careful not to drop or strike battery.
9. Do not use a damaged battery.
10. The contained lithium-ion batteries are subject to the Dangerous Goods Legislation requirements. For commercial transports e.g. by third parties, forwarding agents, special requirement on packaging and labeling must be observed. For preparation of the item being shipped, consulting an expert for hazardous material is required. Please also observe possibly more detailed national regulations. Tape or mask off open contacts and pack up the battery in such a manner that it cannot move around in the packaging.
11. Follow your local regulations relating to disposal of battery.
12. Use the batteries only with the products specified by Makita. Installing the batteries to non-compliant products may result in a fire, excessive heat, explosion, or leak of electrolyte.
7. Do not operate the wireless unit in places where automated devices are near by. If operated, automated devices may develop malfunction or error.
8. Do not operate the wireless unit in places under high temperature or places where static electricity or electrical noise could be generated.
9. The wireless unit can produce electromagnetic fields (EMF) but they are not harmful to the user.
10. The wireless unit is an accurate instrument. Be careful not to drop or strike the wireless unit.
11. Avoid touching the terminal of the wireless unit with bare hands or metallic materials.
12. Always remove the battery on the product when installing the wireless unit into it.
13. When opening the lid of the slot, avoid the place where dust and water may come into the slot. Always keep the inlet of the slot clean.
14. Always insert the wireless unit in the correct direction.
15. Do not press the wireless activation button on the wireless unit too hard and/or press the button with an object with a sharp edge.
16. Always close the lid of the slot when operating.
17. Do not remove the wireless unit from the slot while the power is being supplied to the tool. Doing so may cause a malfunction of the wireless unit.
18. Do not remove the sticker on the wireless unit.
19. Do not put any sticker on the wireless unit.
20. Do not leave the wireless unit in a place where static electricity or electrical noise could be generated.
21. Do not leave the wireless unit in a place subject to high heat, such as a car sitting in the sun.
22. Do not leave the wireless unit in a dusty or powdery place or in a place corrosive gas could be generated.
23. Sudden change of the temperature may bedew the wireless unit. Do not use the wireless unit until the dew is completely dried.
24. When cleaning the wireless unit, gently wipe with a dry soft cloth. Do not use benzine, thinner, conductive grease or the like.
25. When storing the wireless unit, keep it in the supplied case or a static-free container.
26. Do not insert any devices other than Makita wireless unit into the slot on the tool.
27. Do not use the tool with the lid of the slot damaged. Water, dust, and dirt come into the slot may cause malfunction.
28. Do not pull and/or twist the lid of the slot more than necessary. Restore the lid if it comes off from the tool.
29. Replace the lid of the slot if it is lost or damaged.

SAVE THESE INSTRUCTIONS.

⚠ CAUTION: Only use genuine Makita batteries. Use of non-genuine Makita batteries, or batteries that have been altered, may result in the battery bursting causing fires, personal injury and damage. It will also void the Makita warranty for the Makita tool and charger.

Tips for maintaining maximum battery life

1. Charge the battery cartridge before completely discharged. Always stop tool operation and charge the battery cartridge when you notice less tool power.
2. Never recharge a fully charged battery cartridge. Overcharging shortens the battery service life.
3. Charge the battery cartridge with room temperature at 10 °C - 40 °C (50 °F - 104 °F). Let a hot battery cartridge cool down before charging it.
4. Charge the battery cartridge if you do not use it for a long period (more than six months).

Important safety instructions for wireless unit

1. Do not disassemble or tamper with the wireless unit.
2. Keep the wireless unit away from young children. If accidentally swallowed, seek medical attention immediately.
3. Use the wireless unit only with Makita tools.
4. Do not expose the wireless unit to rain or wet conditions.
5. Do not use the wireless unit in places where the temperature exceeds 50°C (122°F).
6. Do not operate the wireless unit in places where medical instruments, such as heart pace makers are near by.

SAVE THESE INSTRUCTIONS.

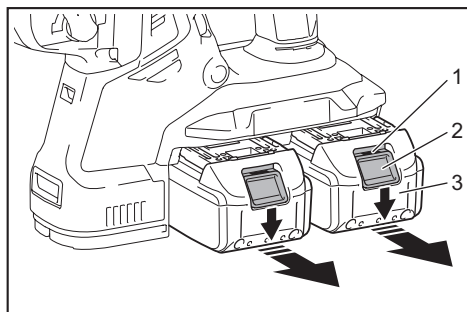
FUNCTIONAL DESCRIPTION

CAUTION: Always be sure that the tool is switched off and the battery cartridge is removed before adjusting or checking function on the tool.

Installing or removing battery cartridge

CAUTION: Always switch off the tool before installing or removing of the battery cartridge.

CAUTION: Hold the tool and the battery cartridge firmly when installing or removing battery cartridge. Failure to hold the tool and the battery cartridge firmly may cause them to slip off your hands and result in damage to the tool and battery cartridge and a personal injury.



► 1. Red indicator 2. Button 3. Battery cartridge

To remove the battery cartridge, slide it from the tool while sliding the button on the front of the cartridge.

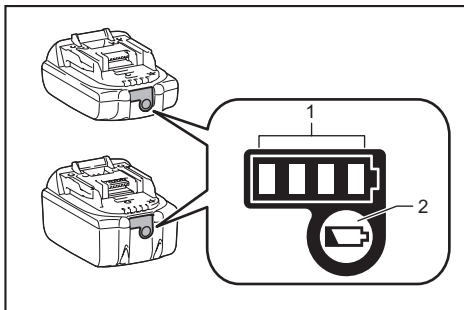
To install the battery cartridge, align the tongue on the battery cartridge with the groove in the housing and slip it into place. Insert it all the way until it locks in place with a little click. If you can see the red indicator on the upper side of the button, it is not locked completely.

CAUTION: Always install the battery cartridge fully until the red indicator cannot be seen. If not, it may accidentally fall out of the tool, causing injury to you or someone around you.

CAUTION: Do not install the battery cartridge forcibly. If the cartridge does not slide in easily, it is not being inserted correctly.

Indicating the remaining battery capacity

Only for battery cartridges with the indicator



► 1. Indicator lamps 2. Check button

Press the check button on the battery cartridge to indicate the remaining battery capacity. The indicator lamps light up for a few seconds.

Indicator lamps			Remaining capacity
Lighted	Off	Blinking	
■ ■ ■ ■			75% to 100%
■ ■ ■ □			50% to 75%
■ ■ □ □			25% to 50%
■ □ □ □			0% to 25%
▣ □ □ □			Charge the battery.
■ ■ □ □			The battery may have malfunctioned.
□ □ ■ ■			

NOTE: Depending on the conditions of use and the ambient temperature, the indication may differ slightly from the actual capacity.

Tool / battery protection system

The tool is equipped with a tool/battery protection system. This system automatically cuts off power to the motor to extend tool and battery life. The tool will automatically stop during operation if the tool or battery is placed under one of the following conditions:

Overload protection

When the battery is operated in a manner that causes it to draw an abnormally high current, the tool automatically stops without any indication. In this situation, turn the tool off and stop the application that caused the tool to become overloaded. Then turn the tool on to restart.

Overheat protection

When the tool or battery is overheated, the tool stops automatically. In this case, let the tool and battery cool before turning the tool on again.

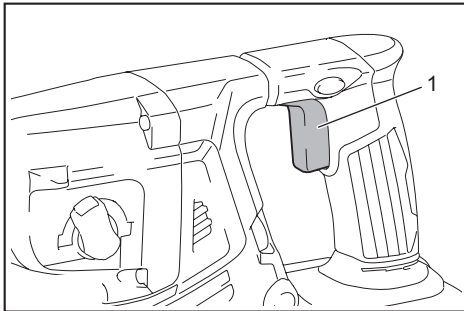
NOTE: When the tool is overheated, the lamp blinks.

Overdischarge protection

When the battery capacity is not enough, the tool stops automatically. In this case, remove the battery from the tool and charge the battery.

Switch action

WARNING: Before installing the battery cartridge into the tool, always check to see that the switch trigger actuates properly and returns to the "OFF" position when released.

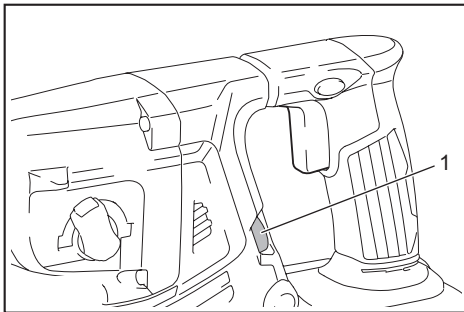


► 1. Switch trigger

To start the tool, simply pull the switch trigger. Tool speed is increased by increasing pressure on the switch trigger. Release the switch trigger to stop.

Speed change

The revolutions and blows per minute can be adjusted by turning the adjusting dial. The dial is marked 1 (lowest speed) to 5 (full speed).



► 1. Adjusting dial

Refer to the table below for the relationship between the number on the adjusting dial and the revolutions and blows per minute.

Number	Revolutions per minute	Blows per minute
5	980	5,000
4	810	4,130
3	640	3,260
2	470	2,400
1	300	1,550

CAUTION: Do not turn the adjusting dial when the tool is running. Failure to do so may result in the loss of control of the tool and cause an injury.

NOTICE: If the tool is operated continuously at low speed for a long time, the motor will get overloaded, resulting in tool malfunction.

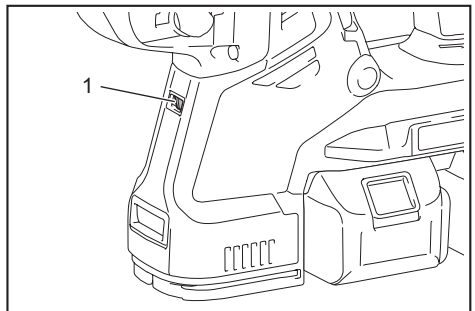
NOTICE: The speed adjusting dial can be turned only as far as 5 and back to 1. Do not force it past 5 or 1, or the speed adjusting function may no longer work.

NOTE: Soft no-load rotation function (For DHR282/DHR283)

When the speed adjusting dial is set to "3" or higher, the tool automatically reduces the speed at no-load to reduce the vibration under no-load. Once operation starts with a bit against concrete, blows per minute increase and reach the numbers as shown in the table. When temperature is low and there is less fluidity in grease, the tool may not have this function even with the motor rotating.

This function is not available when the dust collection system is installed.

Lighting up the front lamp



► 1. Lamp

CAUTION: Do not look in the light or see the source of light directly.

Pull the switch trigger to light up the lamp. The lamp keeps on lighting while the switch trigger is being pulled. The lamp goes out approximately 10 seconds after releasing the switch trigger.

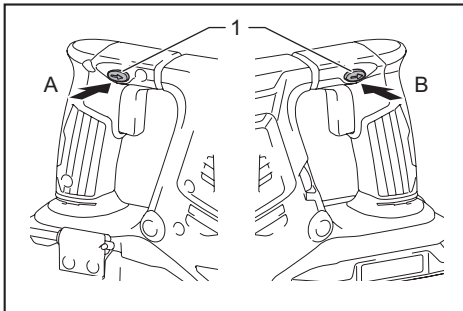
CAUTION: For DHR282/DHR283

If the lamp goes off after blinking for a few seconds, the active feedback sensing technology or the soft no-load rotation function is not working properly. Ask your local Makita Service Center for repair.

NOTE: Use a dry cloth to wipe the dirt off the lens of the lamp. Be careful not to scratch the lens of lamp, or it may lower the illumination.

NOTE: If the dust collection system is installed on the tool, the lamp of the dust collection system lights up instead of the lamp of the tool.

Reversing switch action



► 1. Reversing switch lever

CAUTION: Always check the direction of rotation before operation.

CAUTION: Use the reversing switch only after the tool comes to a complete stop. Changing the direction of rotation before the tool stops may damage the tool.

CAUTION: When not operating the tool, always set the reversing switch lever to the neutral position.

This tool has a reversing switch to change the direction of rotation. Depress the reversing switch lever from the A side for clockwise rotation or from the B side for counterclockwise rotation. When the reversing switch lever is in the neutral position, the switch trigger cannot be pulled.



Changing the quick change chuck for SDS-plus

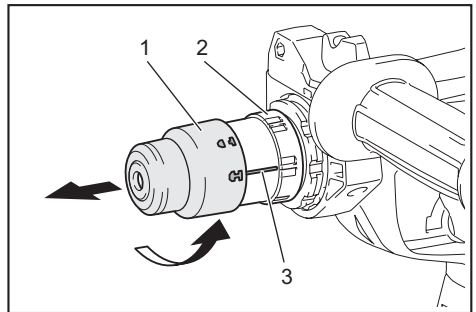
For DHR281/DHR283

The quick change chuck for SDS-plus can be easily exchanged for the quick change drill chuck.

Removing the quick change chuck for SDS-plus

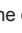


CAUTION: Before removing the quick change chuck for SDS-plus, be sure to remove the bit.

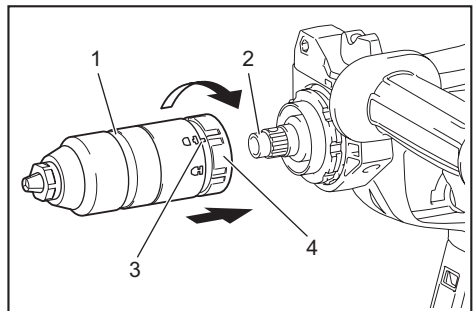
Grasp the change cover of the quick change chuck for SDS-plus and turn in the direction of the arrow until the change cover line moves from the  symbol to the  symbol. Pull forcefully in the direction of the arrow.



► 1. Quick change chuck for SDS-plus 2. Change cover 3. Change cover line

Installing the quick change drill chuck

Check the line of the quick change drill chuck shows the  symbol. Grasp the change cover of the quick change drill chuck and set the line to the  symbol. Place the quick change drill chuck on the spindle of the tool. Grasp the change cover of the quick change drill chuck and turn the change cover line to the  symbol until a click can clearly be heard.




► 1. Quick change drill chuck 2. Spindle 3. Change cover line 4. Change cover

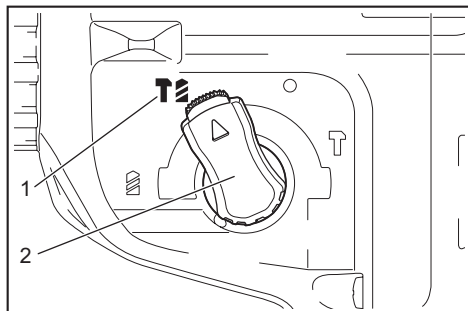
Selecting the action mode

NOTICE: Do not rotate the action mode changing knob when the tool is running. The tool will be damaged.

NOTICE: To avoid rapid wear on the mode change mechanism, be sure that the action mode changing knob is always positively located in one of the three action mode positions.


Rotation with hammering

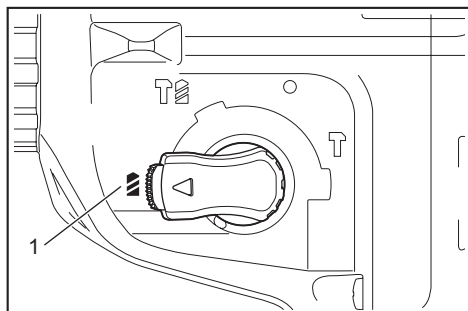
For drilling in concrete, masonry, etc., rotate the action mode changing knob to the  symbol. Use a tungsten-carbide tipped bit (optional accessory).



► 1. Rotation with hammering 2. Action mode changing knob


Rotation only

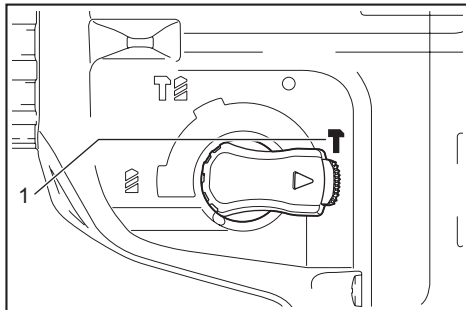
For drilling in wood, metal or plastic materials, rotate the action mode changing knob to the  symbol. Use a twist drill bit or wood drill bit.



► 1. Rotation only

Hammering only

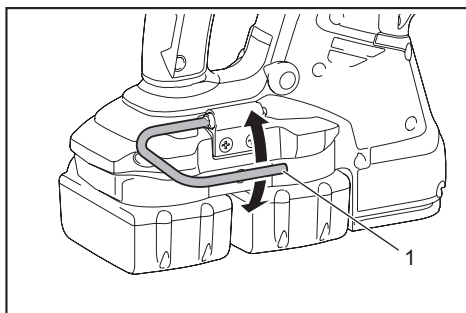
For chipping, scaling or demolition operations, rotate the action mode changing knob to the  symbol. Use a bull point, cold chisel, scaling chisel, etc.



► 1. Hammering only

Hook

CAUTION: Never hook the tool at high location or on potentially unstable surface.



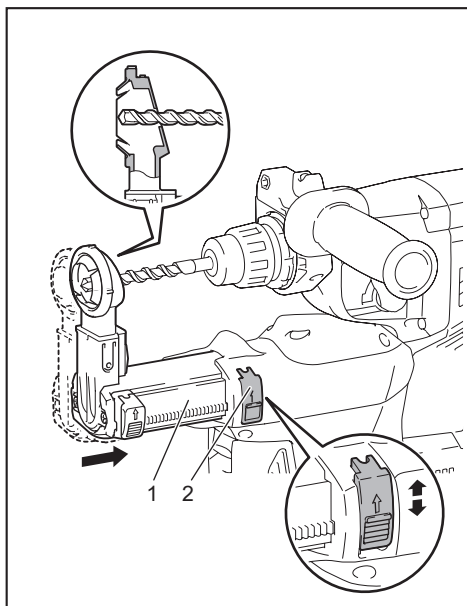
► 1. Hook

The hook is convenient for temporarily hanging the tool. To use the hook, simply lift up hook until it snaps into the open position. When not in use, always lower hook until it snaps into the closed position.

Adjusting the nozzle position of the dust collection system

Optional accessory

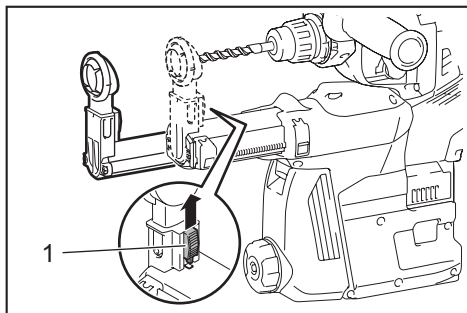
Push in the guide while pushing up the guide adjustment button, and then release the button at the desired position.



► 1. Guide 2. Guide adjustment button

NOTE: Before adjusting the nozzle position, release the nozzle forward completely by pushing up the guide adjustment button.

If a long drill bit is installed, extend the guide by pushing up the extension button.

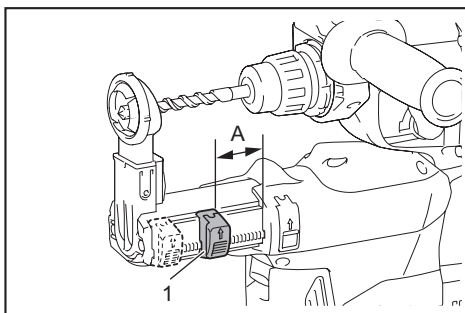


► 1. Extension button

Adjusting the drilling depth of the dust collection system

Optional accessory

Slide the depth adjustment button to the desired position while pushing it up. The distance (A) is the drilling depth.



► 1. Depth adjustment button

Torque limiter

NOTICE: As soon as the torque limiter actuates, switch off the tool immediately. This will help prevent premature wear of the tool.

NOTICE: Drill bits such as hole saw, which tend to pinch or catch easily in the hole, are not appropriate for this tool. This is because they will cause the torque limiter to actuate too frequently.

The torque limiter will actuate when a certain torque level is reached. The motor will disengage from the output shaft. When this happens, the drill bit will stop turning.

Electronic function

The tool is equipped with the electronic functions for easy operation.

- Constant speed control
The speed control function provides the constant rotation speed regardless of load conditions.
- Active Feedback sensing Technology (For DHR282/DHR283)
If the tool is swung at the predetermined acceleration during operation, the motor is forcibly stopped to reduce the burden on the wrist.

NOTE: This function does not work if the acceleration does not reach the predetermined one when the tool is swung.

NOTE: If the bit is swung at the predetermined acceleration during chipping, scaling, or demolishing, the motor is forcibly stopped. In this case, release the switch trigger, and then pull the switch trigger to restart the tool.

Electric brake

This tool is equipped with an electric brake. If the tool consistently fails to quickly stop after the switch trigger is released, have the tool serviced at a Makita service center.

ASSEMBLY

⚠ CAUTION: Always be sure that the tool is switched off and the battery cartridge is removed before carrying out any work on the tool.

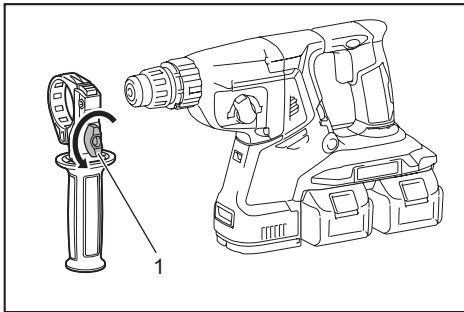
Side grip (auxiliary handle)

⚠ CAUTION: Always use the side grip to ensure safe operation.

⚠ CAUTION: After installing or adjusting the side grip, make sure that the side grip is firmly secured.

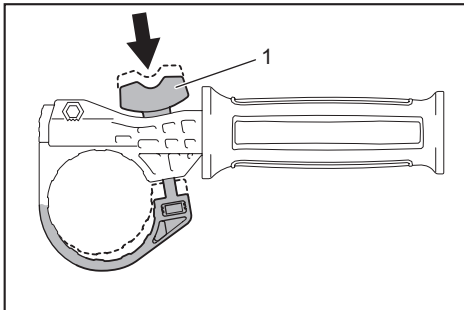
To install the side grip, follow the steps below.

1. Loosen the thumb screw on the side grip.



- 1. Thumb screw

2. Attach the side grip while pressing the thumb screw so that the grooves on the grip fit in the protrusions on the tool barrel.



- 1. Thumb screw

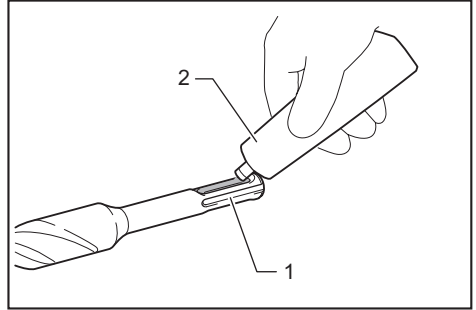
3. Tighten the thumb screw to secure the grip. The grip can be fixed at desired angle.

Grease

Coat the shank end of the drill bit beforehand with a small amount of grease (about 0.5 - 1 g). This chuck lubrication assures smooth action and longer service life.

Installing or removing drill bit

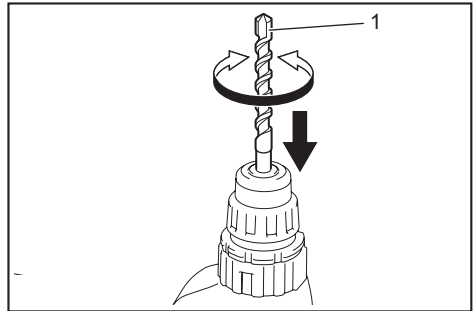
Clean the shank end of the drill bit and apply grease before installing the drill bit.



- 1. Shank end 2. Grease

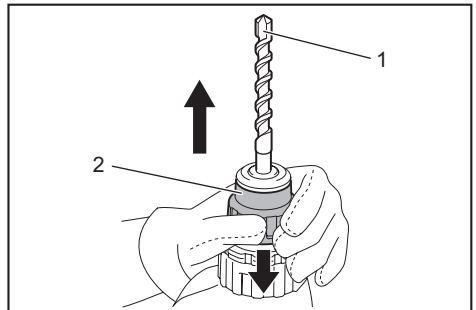
Insert the drill bit into the tool. Turn the drill bit and push it in until it engages.

After installing the drill bit, always make sure that the drill bit is securely held in place by trying to pull it out.



- 1. Drill bit

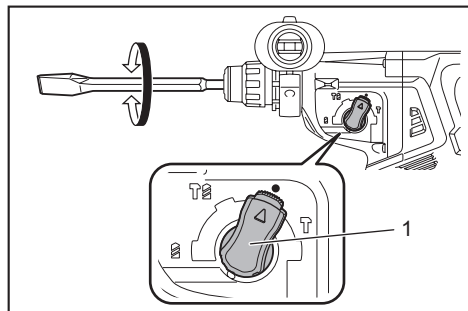
To remove the drill bit, pull the chuck cover down all the way and pull the drill bit out.



- 1. Drill bit 2. Chuck cover

Chisel angle (when chipping, scaling or demolishing)

The chisel can be secured at the desired angle. To change the chisel angle, rotate the action mode changing knob to the O symbol. Turn the chisel to the desired angle.



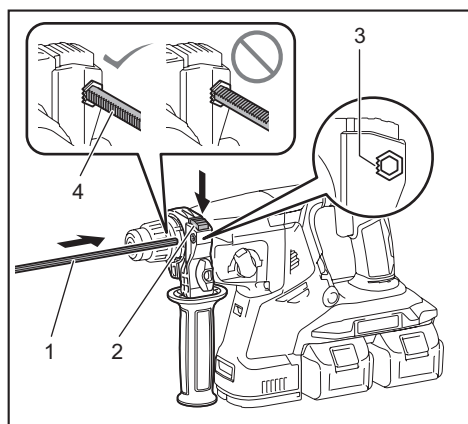
► 1. Action mode changing knob

Rotate the action mode changing knob to the T symbol. Then make sure that the chisel is securely held in place by turning it slightly.

Depth gauge

The depth gauge is convenient for drilling holes of uniform depth.

Press and hold the lock button, and then insert the depth gauge into the hex hole. Make sure that the toothed side of the depth gauge faces the marking.



► 1. Depth gauge 2. Lock button 3. Marking
4. Toothed side

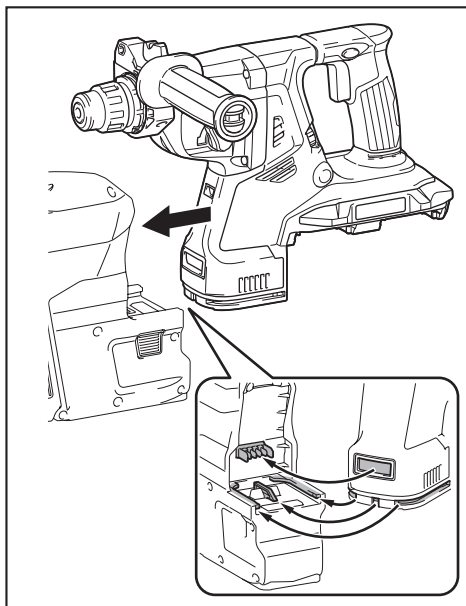
Adjust the depth gauge by moving it back and forth while pressing the lock button. After the adjustment, release the lock button to lock the depth gauge.

NOTE: Make sure that the depth gauge does not touch the main body of the tool when attaching it.

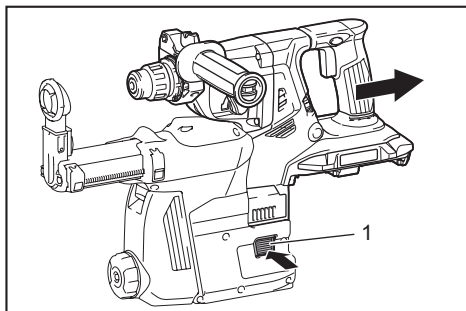
Installing or removing the dust collection system

Optional accessory

To install the dust collection system, insert the tool into the dust collection system all the way until it locks in place with a little double click.



To remove the dust collection system, pull the tool while pressing the lock-off button.



► 1. Lock-off button

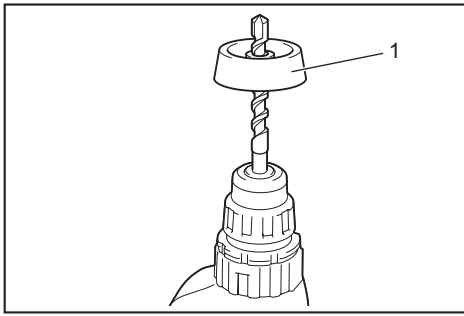
Dust cup

Optional accessory

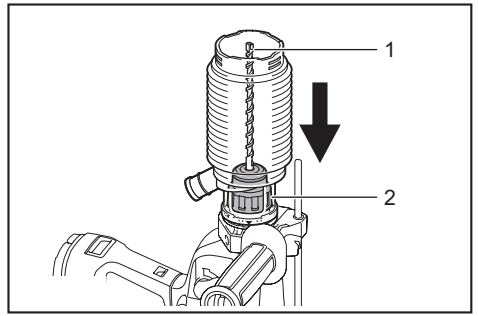
Use the dust cup to prevent dust from falling over the tool and on yourself when performing overhead drilling operations.

Attach the dust cup to the bit as shown in the figure. The size of bits which the dust cup can be attached to is as follows.

Model	Bit diameter
Dust cup 5	6 mm (1/4") - 14.5 mm (9/16")
Dust cup 9	12 mm (15/32") - 16 mm (5/8")



► 1. Dust cup



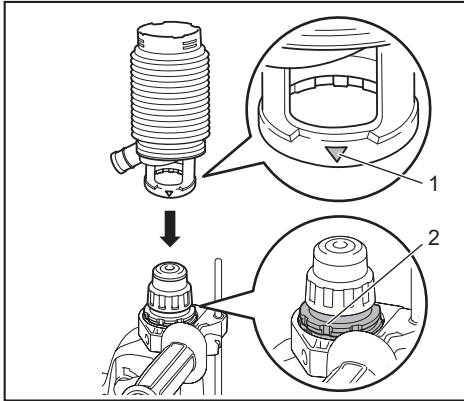
► 1. Bit 2. Chuck cover

Dust cup set

Optional accessory

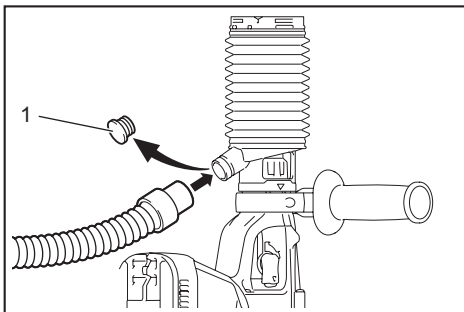
Before installing the dust cup set, remove the bit from the tool if installed.

Install the dust cup set on the tool so that the Δ symbol on the dust cup is aligned with the groove in the tool.



► 1. Δ symbol 2. Groove

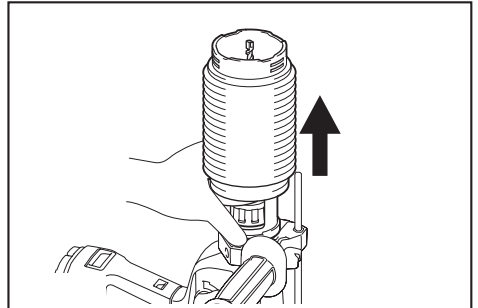
NOTE: If you connect a vacuum cleaner to the dust cup set, remove the dust cap before connecting it.



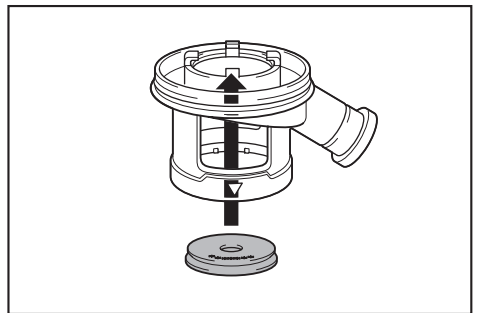
► 1. Dust cap

To remove the dust cup set, remove the bit while pulling the chuck cover in the direction of the arrow.

Hold the root of dust cup and pull it out.



NOTE: If the cap comes off from the dust cup, attach it with its printed side facing up so that groove on the cap fits in the inside periphery of the attachment.



OPERATION

CAUTION: Always use the side grip (auxiliary handle) and firmly hold the tool by both side grip and switch handle during operations.

CAUTION: Always make sure that the work-piece is secured before operation.

CAUTION: Do not pull the tool out forcibly even the bit gets stuck. Loss of control may cause injury.

CAUTION: The dust collection system is intended for drilling in concrete only. Do not use the dust collection system for drilling in metal or wood.

CAUTION: When using the tool with the dust collection system, be sure to attach the filter to the dust collection system to prevent dust inhalation.

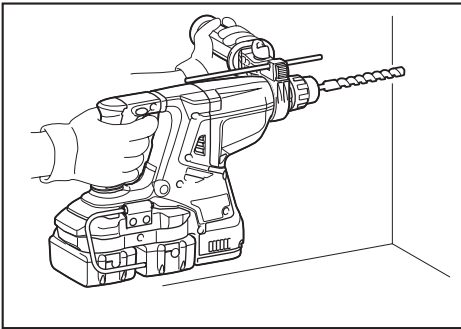
CAUTION: Before using the dust collection system, check that the filter is not damaged. Failure to do so may cause dust inhalation.

CAUTION: The dust collection system collects the generated dust at a considerable rate, but not all dust can be collected.

NOTICE: Do not use the dust collection system for core drilling or chiseling.


NOTICE: Do not use the dust collection system for drilling in wet concrete or use this system in wet environment. Failure to do so may cause malfunction.

NOTE: If the battery cartridge is in low temperature, the tool's capability may not be fully obtained. In this case, warm up the battery cartridge by using the tool with no load for a while to fully obtain the tool's capability.



Hammer drilling operation


CAUTION: There is tremendous and sudden twisting force exerted on the tool/drill bit at the time of hole break-through, when the hole becomes clogged with chips and particles, or when striking reinforcing rods embedded in the concrete. **Always use the side grip (auxiliary handle) and firmly hold the tool by both side grip and switch handle during operations.** Failure to do so may result in the loss of control of the tool and potentially severe injury.

Set the action mode changing knob to the  symbol. Position the drill bit at the desired location for the hole, then pull the switch trigger. Do not force the tool. Light pressure gives best results. Keep the tool in position and prevent it from slipping away from the hole.

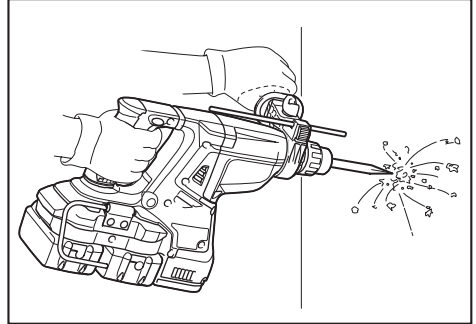
Do not apply more pressure when the hole becomes clogged with chips or particles. Instead, run the tool at an idle, then remove the drill bit partially from the hole. By repeating this several times, the hole will be cleaned out and normal drilling may be resumed.

NOTE: Eccentricity in the drill bit rotation may occur while operating the tool with no load. The tool automatically centers itself during operation. This does not affect the drilling precision.

Chipping/Scaling/Demolition

Set the action mode changing knob to the  symbol. Hold the tool firmly with both hands. Turn the tool on and apply slight pressure on the tool so that the tool will not bounce around, uncontrolled.

Pressing very hard on the tool will not increase the efficiency.



Drilling in wood or metal

CAUTION: Hold the tool firmly and exert care when the drill bit begins to break through the workpiece. There is a tremendous force exerted on the tool/drill bit at the time of hole break through.

CAUTION: A stuck drill bit can be removed simply by setting the reversing switch to reverse rotation in order to back out. However, the tool may back out abruptly if you do not hold it firmly.

CAUTION: Always secure workpieces in a vise or similar hold-down device.

NOTICE: Never use "rotation with hammering" when the drill chuck is installed on the tool. The drill chuck may be damaged. Also, the drill chuck will come off when reversing the tool.

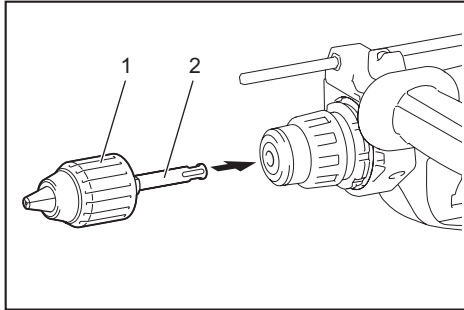
NOTICE: Pressing excessively on the tool will not speed up the drilling. In fact, this excessive pressure will only serve to damage the tip of your drill bit, decrease the tool performance and shorten the service life of the tool.

Set the action mode changing knob to the  symbol.

For DHR280/DHR282

Optional accessory

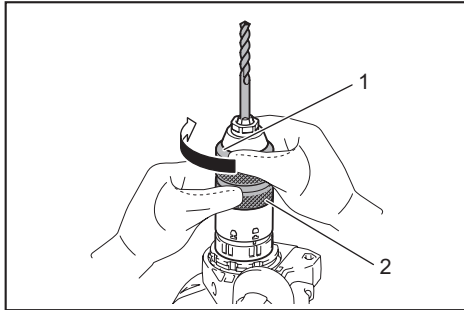
Attach the chuck adapter to a keyless drill chuck to which 1/2"-20 size screw can be installed, and then install them to the tool. When installing it, refer to the section "Installing or removing drill bit".



► 1. Keyless drill chuck 2. Chuck adapter

For DHR281/DHR283

Use the quick change drill chuck as standard equipment. When installing it, refer to "changing the quick change chuck for SDS-plus". Hold the ring and turn the sleeve counterclockwise to open the chuck jaws. Place the bit in the chuck as far as it will go. Hold the ring firmly and turn the sleeve clockwise to tighten the chuck.

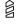


► 1. Sleeve 2. Ring

To remove the bit, hold the ring and turn the sleeve counterclockwise.

Diamond core drilling

NOTICE: If performing diamond core drilling operations using "rotation with hammering" action, the diamond core bit may be damaged.

When performing diamond core drilling operations, always set the change lever to the  position to use "rotation only" action.

Beating dust on the filter

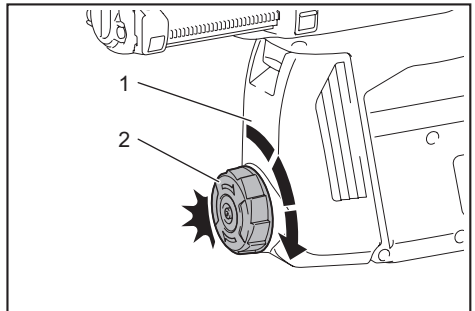
Optional accessory

CAUTION: Do not turn the dial on the dust case while the dust case is removed from the dust collection system. Doing so may cause dust inhalation.

CAUTION: Always switch off the tool when turning the dial on the dust case. Turning the dial while the tool is running may result in the loss of control of the tool.

By beating the dust on the filter inside the dust case, you can keep the vacuum efficiency and also reduce the number of times to dispose of the dust. Turn the dial on the dust case three times after collecting every 50,000 mm³ of dust or when you feel the vacuum performance declined.

NOTE: 50,000 mm³ of dust equivalents to drilling 10 holes of $\varnothing 10$ mm and 65 mm depth (14 holes of $\varnothing 3/8$ " and 2" depth).



► 1. Dust case 2. Dial

Disposing of dust

Optional accessory

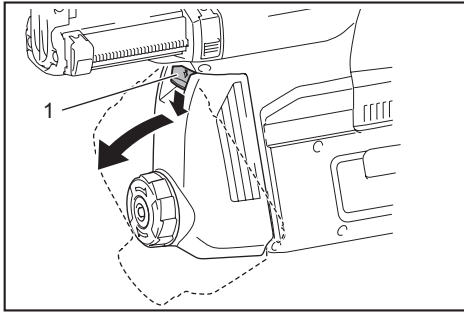
CAUTION: Always be sure that the tool is switched off and the battery cartridge is removed before carrying out any work on the tool.

CAUTION: Be sure to wear dust mask when disposing of dust.

CAUTION: Empty the dust case regularly before the dust case becomes full. Failure to do so may decrease the dust collection performance and cause dust inhalation.

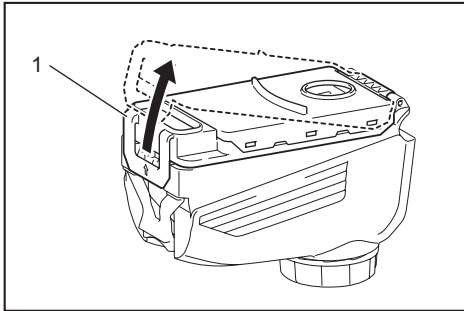
CAUTION: The performance of dust collection decreases if the filter in the dust case becomes clogged. Replace the filter with new one after approximately 200 times of dust fulfillment as a guide. Failure to do so may cause dust inhalation.

1. Remove the dust case while pressing down the lever of the dust case.



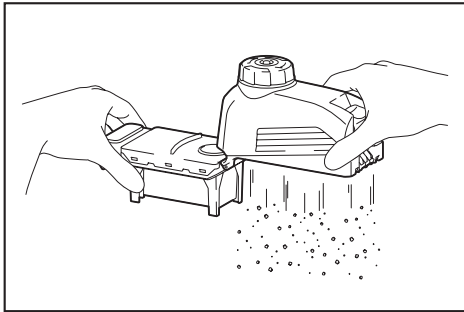
- 1. Lever

2. Open the cover of the dust case.



- 1. Cover

3. Dispose of the dust, and then clean the filter.

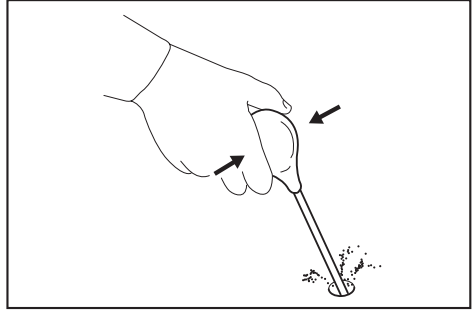


NOTICE: When cleaning the filter, do not touch the filter with brush or similar, or blow compressed air on the filter. It may damage the filter.

Blow-out bulb

Optional accessory

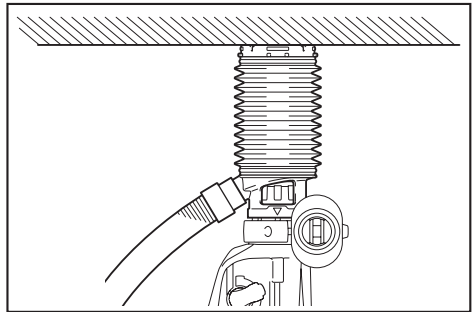
After drilling the hole, use the blow-out bulb to clean the dust out of the hole.



Using dust cup set

Optional accessory

Fit the dust cup set against the ceiling when operating the tool.



NOTICE: Do not use the dust cup set when drilling in metal or similar. It may damage the dust cup set due to the heat produced by small metal dust or similar.

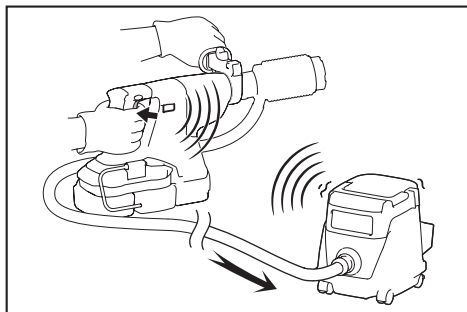
NOTICE: Do not install or remove the dust cup set with the drill bit installed in the tool. It may damage the dust cup set and cause dust leak.

WIRELESS ACTIVATION FUNCTION

Optional accessory for DHR282/DHR283

What you can do with the wireless activation function

The wireless activation function enables clean and comfortable operation. By connecting a supported vacuum cleaner to the tool, you can run the vacuum cleaner automatically along with the switch operation of the tool.



To use the wireless activation function, prepare following items:

- A wireless unit (optional accessory)
- A vacuum cleaner which supports the wireless activation function

The overview of the wireless activation function setting is as follows. Refer to each section for detail procedures.

1. Installing the wireless unit
2. Tool registration for the vacuum cleaner
3. Starting the wireless activation function

Installing the wireless unit

Optional accessory

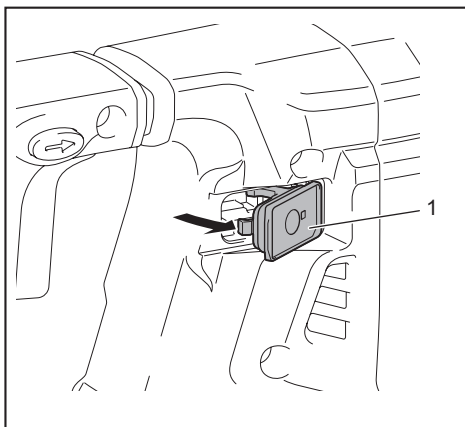
CAUTION: Place the tool on a flat and stable surface when installing the wireless unit.

NOTICE: Clean the dust and dirt on the tool before installing the wireless unit. Dust or dirt may cause malfunction if it comes into the slot of the wireless unit.

NOTICE: To prevent the malfunction caused by static, touch a static discharging material, such as a metal part of the tool, before picking up the wireless unit.

NOTICE: When installing the wireless unit, always be sure that the wireless unit is inserted in the correct direction and the lid is completely closed.

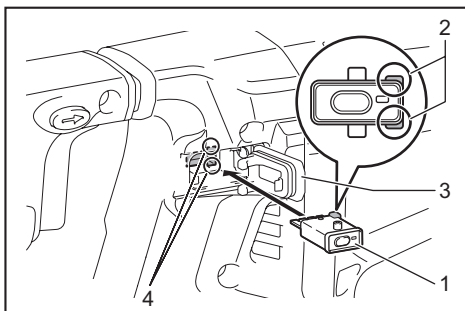
1. Open the lid on the tool as shown in the figure.



- 1. Lid

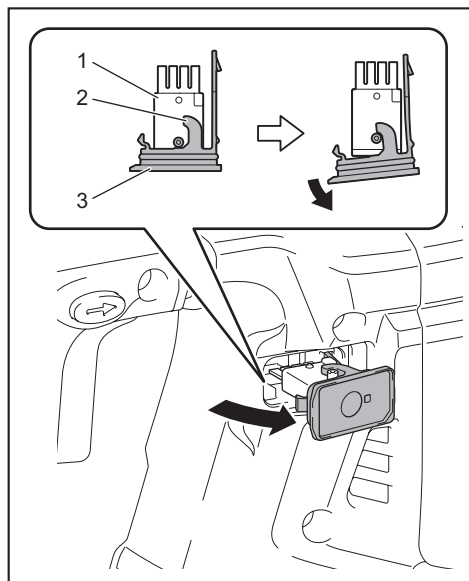
2. Insert the wireless unit to the slot and then close the lid.

When inserting the wireless unit, align the projections with the recessed portions on the slot.



- 1. Wireless unit 2. Projection 3. Lid 4. Recessed portion

When removing the wireless unit, open the lid slowly. The hooks on the back of the lid will lift the wireless unit as you pull up the lid.



► 1. Wireless unit 2. Hook 3. Lid

After removing the wireless unit, keep it in the supplied case or a static-free container.

NOTICE: Always use the hooks on the back of the lid when removing the wireless unit. If the hooks do not catch the wireless unit, close the lid completely and open it slowly again.

Tool registration for the vacuum cleaner

NOTE: A Makita vacuum cleaner supporting the wireless activation function is required for the tool registration.

NOTE: Finish installing the wireless unit to the tool before starting the tool registration.

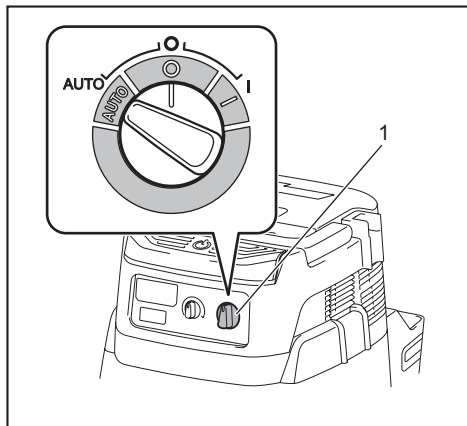
NOTE: During the tool registration, do not pull the switch trigger or turn on the power switch on the vacuum cleaner.

NOTE: Refer to the instruction manual of the vacuum cleaner, too.

If you wish to activate the vacuum cleaner along with the switch operation of the tool, finish the tool registration beforehand.

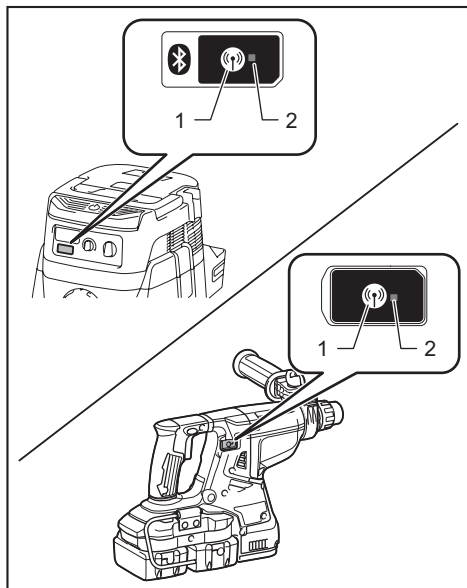
1. Install the batteries to the vacuum cleaner and the tool.

2. Set the stand-by switch on the vacuum cleaner to "AUTO".



► 1. Stand-by switch

3. Press the wireless activation button on the vacuum cleaner for 3 seconds until the wireless activation lamp blinks in green. And then press the wireless activation button on the tool in the same way.



► 1. Wireless activation button 2. Wireless activation lamp

If the vacuum cleaner and the tool are linked successfully, the wireless activation lamps will light up in green for 2 seconds and start blinking in blue.

NOTE: The wireless activation lamps finish blinking in green after 20 seconds elapsed. Press the wireless activation button on the tool while the wireless activation lamp on the cleaner is blinking. If the wireless activation lamp does not blink in green, push the wireless activation button briefly and hold it down again.

NOTE: When performing two or more tool registrations for one vacuum cleaner, finish the tool registration one by one.

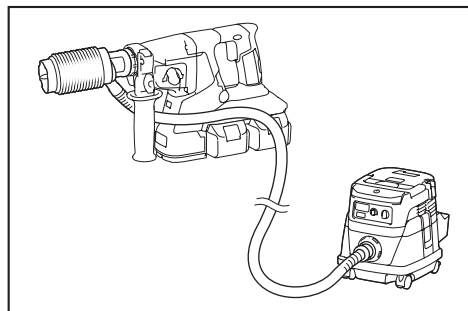
Starting the wireless activation function

NOTE: Finish the tool registration for the vacuum cleaner prior to the wireless activation.

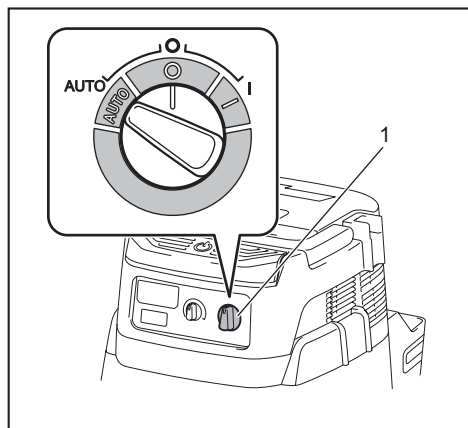
NOTE: Refer to the instruction manual of the vacuum cleaner, too.

After registering a tool to the vacuum cleaner, the vacuum cleaner will automatically runs along with the switch operation of the tool.

1. Install the wireless unit to the tool.
2. Connect the hose of the vacuum cleaner with the tool.

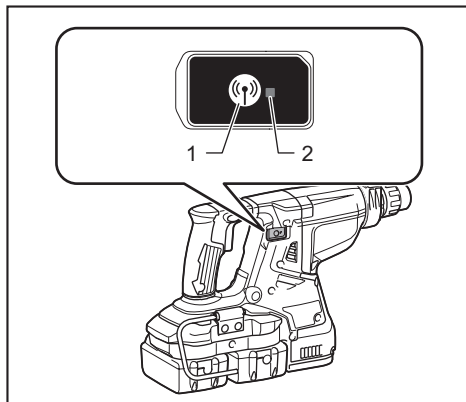


3. Set the stand-by switch on the vacuum cleaner to "AUTO".



- 1. Stand-by switch

4. Push the wireless activation button on the tool briefly. The wireless activation lamp will blink in blue.



- 1. Wireless activation button 2. Wireless activation lamp

5. Pull the switch trigger of the tool. Check if the vacuum cleaner runs while the switch trigger is being pulled.

To stop the wireless activation of the vacuum cleaner, push the wireless activation button on the tool.

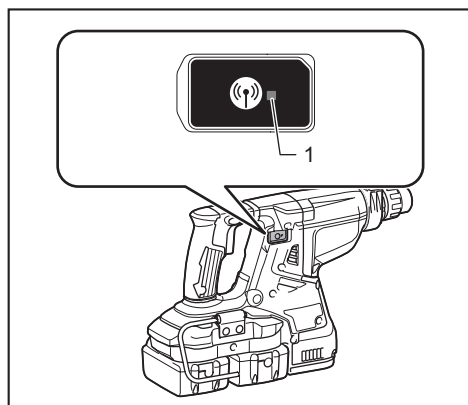
NOTE: The wireless activation lamp on the tool will stop blinking in blue when there is no operation for 2 hours. In this case, set the stand-by switch on the vacuum cleaner to "AUTO" and push the wireless activation button on the tool again.

NOTE: The vacuum cleaner starts/stops with a delay. There is a time lag when the vacuum cleaner detects a switch operation of the tool.

NOTE: The transmission distance of the wireless unit may vary depending on the location and surrounding circumstances.

NOTE: When two or more tools are registered to one vacuum cleaner, the vacuum cleaner may start running even if you don't pull the switch trigger because another user is using the wireless activation function.

Description of the wireless activation lamp status



► 1. Wireless activation lamp

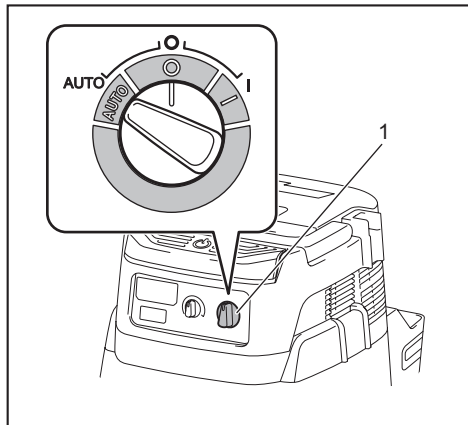
The wireless activation lamp shows the status of the wireless activation function. Refer to the table below for the meaning of the lamp status.

Status	Wireless activation lamp				Description
	Color	■ On	▣ Blinking	Duration	
Standby	Blue		▣	2 hours	The wireless activation of the vacuum cleaner is available. The lamp will automatically turn off when no operation is performed for 2 hours.
			■	When the tool is running.	The wireless activation of the vacuum cleaner is available and the tool is running.
Tool registration	Green		▣	20 seconds	Ready for the tool registration. Waiting for the registration by the vacuum cleaner.
			■	2 seconds	The tool registration has been finished. The wireless activation lamp will start blinking in blue.
Cancelling tool registration	Red		▣	20 seconds	Ready for the cancellation of the tool registration. Waiting for the cancellation by the vacuum cleaner.
			■	2 seconds	The cancellation of the tool registration has been finished. The wireless activation lamp will start blinking in blue.
Others	Red		■	3 seconds	The power is supplied to the wireless unit and the wireless activation function is starting up.
	Off		-	-	The wireless activation of the vacuum cleaner is stopped.

Cancelling tool registration for the vacuum cleaner

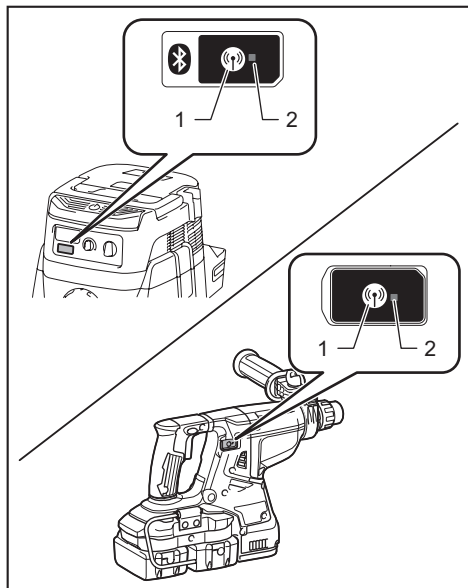
Perform the following procedure when cancelling the tool registration for the vacuum cleaner.

1. Install the batteries to the vacuum cleaner and the tool.
2. Set the stand-by switch on the vacuum cleaner to "AUTO".



► 1. Stand-by switch

3. Press the wireless activation button on the vacuum cleaner for 6 seconds. The wireless activation lamp blinks in green and then become red. After that, press the wireless activation button on the tool in the same way.



► 1. Wireless activation button 2. Wireless activation lamp

If the cancellation is performed successfully, the wireless activation lamps will light up in red for 2 seconds and start blinking in blue.

NOTE: The wireless activation lamps finish blinking in red after 20 seconds elapsed. Press the wireless activation button on the tool while the wireless activation lamp on the cleaner is blinking. If the wireless activation lamp does not blink in red, push the wireless activation button briefly and hold it down again.

Troubleshooting for wireless activation function

Before asking for repairs, conduct your own inspection first. If you find a problem that is not explained in the manual, do not attempt to dismantle the tool. Instead, ask Makita Authorized Service Centers, always using Makita replacement parts for repairs.

State of abnormality	Probable cause (malfunction)	Remedy
The wireless activation lamp does not light/blink.	The wireless unit is not installed into the tool. The wireless unit is improperly installed into the tool.	Install the wireless unit correctly.
	The terminal of the wireless unit and/or the slot is dirty.	Gently wipe off dust and dirt on the terminal of the wireless unit and clean the slot.
	The wireless activation button on the tool has not been pushed.	Push the wireless activation button on the tool briefly.
	The stand-by switch on the vacuum cleaner is not set to "AUTO".	Set the stand-by switch on the vacuum cleaner to "AUTO".
	No power supply	Supply the power to the tool and the vacuum cleaner.
Cannot finish tool registration / cancelling tool registration successfully.	The wireless unit is not installed into the tool. The wireless unit is improperly installed into the tool.	Install the wireless unit correctly.
	The terminal of the wireless unit and/or the slot is dirty.	Gently wipe off dust and dirt on the terminal of the wireless unit and clean the slot.
	The stand-by switch on the vacuum cleaner is not set to "AUTO".	Set the stand-by switch on the vacuum cleaner to "AUTO".
	No power supply	Supply the power to the tool and the vacuum cleaner.
	Incorrect operation	Push the wireless activation button briefly and perform the tool registration/cancellation procedures again.
	The tool and vacuum cleaner are away from each other (out of the transmission range).	Get the tool and vacuum cleaner closer to each other. The maximum transmission distance is approximately 10 m however it may vary according to the circumstances.
	Before finishing the tool registration/cancellation; - the switch trigger on the tool is pulled or; - the power button on the vacuum cleaner is turned on.	Push the wireless activation button briefly and perform the tool registration/cancellation procedures again.
	The tool registration procedures for the tool or vacuum cleaner has not finished.	Perform the tool registration procedures for both the tool and the vacuum cleaner at the same timing.
	Radio disturbance by other appliances which generate high-intensity radio waves.	Keep the tool and vacuum cleaner away from the appliances such as Wi-Fi devices and microwave ovens.
The vacuum cleaner does not run along with the switch operation of the tool.	The wireless unit is not installed into the tool. The wireless unit is improperly installed into the tool.	Install the wireless unit correctly.
	The terminal of the wireless unit and/or the slot is dirty.	Gently wipe off dust and dirt on the terminal of the wireless unit and clean the slot.
	The wireless activation button on the tool has not been pushed.	Push the wireless activation button briefly and make sure that the wireless activation lamp is blinking in blue.
	The stand-by switch on the vacuum cleaner is not set to "AUTO".	Set the stand-by switch on the vacuum cleaner to "AUTO".
	More than 10 tools are registered to the vacuum cleaner.	Perform the tool registration again. If more than 10 tools are registered to the vacuum cleaner, the tool registered earliest will be cancelled automatically.
	The vacuum cleaner erased all tool registrations.	Perform the tool registration again.
	No power supply	Supply the power to the tool and the vacuum cleaner.
	The tool and vacuum cleaner are away from each other (out of the transmission range).	Get the tool and vacuum cleaner closer each other. The maximum transmission distance is approximately 10 m however it may vary according to the circumstances.
	Radio disturbance by other appliances which generate high-intensity radio waves.	Keep the tool and vacuum cleaner away from the appliances such as Wi-Fi devices and microwave ovens.
The vacuum cleaner runs while the tool's switch trigger is not pulled.	Other users are using the wireless activation of the vacuum cleaner with their tools.	Turn off the wireless activation button of the other tools or cancel the tool registration of the other tools.

MAINTENANCE

CAUTION: Always be sure that the tool is switched off and the battery cartridge is removed before attempting to perform inspection or maintenance.

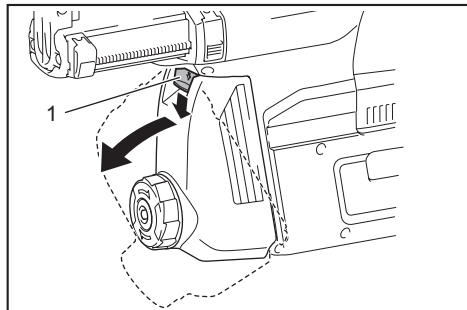
NOTICE: Never use gasoline, benzine, thinner, alcohol or the like. Discoloration, deformation or cracks may result.

To maintain product SAFETY and RELIABILITY, repairs, any other maintenance or adjustment should be performed by Makita Authorized or Factory Service Centers, always using Makita replacement parts.

Replacing filter of dust case

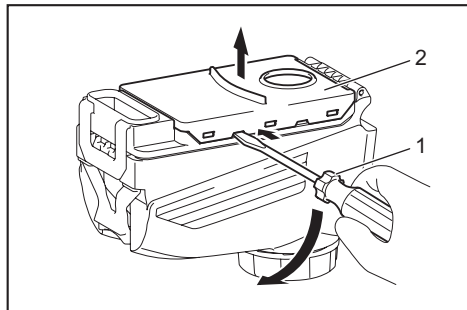
Optional accessory

1. Remove the dust case while pressing down the lever of the dust case.



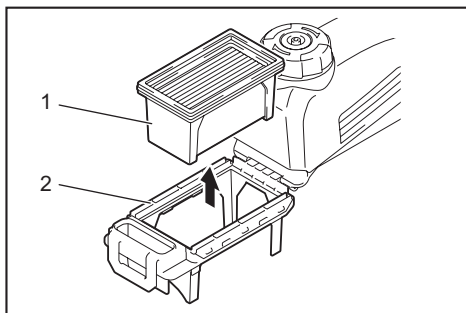
► 1. Lever

2. Insert the flat-blade screwdriver into the slots of the filter cover to remove the filter cover.



► 1. Flat-blade screwdriver 2. Filter cover

3. Remove the filter from the filter case.



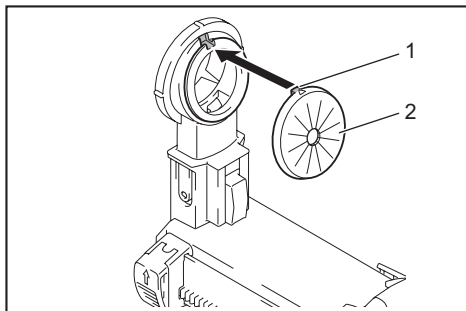
► 1. Filter 2. Filter case

4. Attach a new filter to the filter case, and then attach the filter cover.
5. Close the cover of the dust case, and then attach the dust case to the dust collection system.

Replacing sealing cap

Optional accessory

If the sealing cap is worn out, the performance of the dust collection decreases. Replace it if it's worn out. Remove the sealing cap, and then attach a new one with its protrusion facing upward.



► 1. Protrusion 2. Sealing cap

OPTIONAL ACCESSORIES

⚠ CAUTION: These accessories or attachments are recommended for use with your Makita tool specified in this manual. The use of any other accessories or attachments might present a risk of injury to persons. Only use accessory or attachment for its stated purpose.

If you need any assistance for more details regarding these accessories, ask your local Makita Service Center.

- Carbide-tipped drill bits (SDS-Plus carbide-tipped bits)
- Core bit
- Bull point
- Diamond core bit
- Cold chisel
- Scaling chisel
- Grooving chisel
- Chuck adapter
- Keyless drill chuck
- Bit grease
- Depth gauge
- Blow-out bulb
- Dust cup
- Dust cup set
- Dust collection system
- Wireless unit
- Makita genuine battery and charger
- Safety goggles
- Plastic carrying case

NOTE: Some items in the list may be included in the tool package as standard accessories. They may differ from country to country.

MAKITA LIMITED WARRANTY

Please refer to the annexed warranty sheet for the most current warranty terms applicable to this product. If annexed warranty sheet is not available, refer to the warranty details set forth at below website for your respective country.

United States of America: www.makitatools.com

Canada: www.makita.ca

Other countries: www.makita.com

SPÉCIFICATIONS

Modèle :		DHR280	DHR281	DHR282	DHR283
Capacités	Béton	28 mm (1-1/8")			
	Trépan	54 mm (2-1/8")			
	Trépan diamanté (type sec)	65 mm (2-9/16")			
	Acier	13 mm (1/2")			
	Bois	32 mm (1-1/4")			
Vitesse à vide		0 - 980/min			
Frappes par minute		0 - 5 000/min			
Longueur totale		373 mm (14-3/4")	404 mm (15-7/8")	373 mm (14-3/4")	404 mm (15-7/8")
Tension nominale		C.C. 36 V			
Poids net		3,9 - 5,1 kg (8,6 - 11,2 lbs)			

Accessoire en option

Modèle :	DX08 (Pour DHR280/DHR282)	DX09 (Pour DHR281/DHR283)
Capacité d'aspiration	350 l/min	
Course	Jusqu'à 190 mm (7-1/2")	
Embout-mèche approprié	Jusqu'à 260 mm (10-1/4")	
Tension nominale	C.C. 18 V	
Poids net	1,6 kg (3,5 lbs)	

- Étant donné l'évolution constante de notre programme de recherche et développement, les spécifications contenues dans ce manuel sont sujettes à modification sans préavis.
- Les spécifications et la batterie peuvent varier suivant les pays.
- Le poids peut varier selon les accessoires, y compris la batterie. La plus légère et la plus lourde combinaisons, selon la procédure EPTA 01/2014, sont indiquées dans le tableau.

Batteries applicables

BL1815N / BL1820B / BL1830 / BL1830B / BL1840B / BL1850B / BL1860B

- Suivant la région où vous habitez, il se peut que certaines des batteries énumérées ci-dessus ne soient pas disponibles.

⚠ MISE EN GARDE : Utilisez exclusivement les batteries énumérées ci-dessus. L'utilisation de toute autre batterie peut entraîner une blessure et/ou un incendie.

CONSIGNES DE SÉCURITÉ

Consignes de sécurité générales pour outils électriques

⚠ MISE EN GARDE : Lisez toutes les mises en garde, instructions, illustrations et spécifications qui accompagnent cet outil électrique. Il y a risque de décharge électrique, d'incendie et/ou de blessure grave si les instructions ci-dessous ne sont pas toutes respectées.

Conservez toutes les mises en garde et instructions pour référence future.

Le terme « outil électrique » qui figure dans les avertissements fait référence à un outil électrique branché sur une prise de courant (par un cordon d'alimentation) ou alimenté par batterie (sans fil).

Sécurité de la zone de travail

1. **Maintenez la zone de travail propre et bien éclairée.** Les zones de travail encombrées ou sombres ouvrent grande la porte aux accidents.
2. **N'utilisez pas les outils électriques dans les atmosphères explosives, par exemple en présence de liquides, gaz ou poussières inflammables.** Les outils électriques produisent des étincelles au contact desquelles la poussière ou les vapeurs peuvent s'enflammer.
3. **Assurez-vous qu'aucun enfant ou curieux ne s'approche pendant que vous utilisez un outil électrique.** Vous risquez de perdre la maîtrise de l'outil si votre attention est détournée.

Sécurité en matière d'électricité

1. **Les fiches d'outil électrique sont conçues pour s'adapter parfaitement aux prises de courant. Ne modifiez jamais la fiche de quelque façon que ce soit. N'utilisez aucun adaptateur de fiche sur les outils électriques avec mise à la terre.** En ne modifiant pas les fiches et en les

- insérant dans des prises de courant pour lesquelles elles ont été conçues, vous réduirez les risques de choc électrique.
2. **Évitez tout contact corporel avec les surfaces mises à la terre, telles que tuyaux, radiateurs, cuisinières et réfrigérateurs.** Le risque de choc électrique est plus élevé si votre corps se trouve mis à la terre.
 3. **N'exposez pas les outils électriques à la pluie ou à l'eau.** La présence d'eau dans un outil électrique augmente le risque de choc électrique.
 4. **Ne maltraitez pas le cordon. N'utilisez jamais le cordon pour transporter, tirer ou débrancher l'outil électrique.** Maintenez le cordon à l'écart des sources de chaleur, de l'huile, des objets à bords tranchants et des pièces en mouvement. Le risque de choc électrique est plus élevé lorsque les cordons sont endommagés ou enchevêtrés.
 5. **Lorsque vous utilisez un outil électrique à l'extérieur, utilisez un cordon prolongateur conçu pour l'usage extérieur.** Le risque de choc électrique est moindre lorsqu'un cordon conçu pour l'usage extérieur est utilisé.
 6. **Si vous devez utiliser un outil électrique dans un endroit humide, utilisez une source d'alimentation protégée par un disjoncteur de fuite à la terre.** L'utilisation d'un disjoncteur de fuite à la terre réduit le risque de choc électrique.
 7. **Les outils électriques peuvent produire des champs électromagnétiques (CEM) qui ne sont pas préjudiciables à l'utilisateur.** Les utilisateurs de stimulateur cardiaque ou autres appareils médicaux similaires doivent toutefois demander conseil au fabricant et/ou à leur médecin avant d'utiliser cet outil électrique.

Sécurité personnelle

1. **Restez alerte, attentif à vos mouvements et faites preuve de bon sens lorsque vous utilisez un outil électrique. N'utilisez pas les outils électriques si vous êtes fatigué ou avez pris une drogue, de l'alcool ou un médicament.** Un moment d'inattention pendant l'utilisation d'un outil électrique peut entraîner une grave blessure.
2. **Portez des dispositifs de protection personnelle. Portez toujours une protection oculaire.** Les risques de blessure seront moins élevés si vous utilisez des dispositifs de protection tels qu'un masque anti-poussière, des chaussures à semelle antidérapante, une coiffure résistante ou une protection d'oreilles.
3. **Évitez les démarrages accidentels. Assurez-vous que l'interrupteur est en position d'arrêt avant de brancher l'outil à la prise de courant et/ou au bloc-piles, et avant de prendre ou de transporter l'outil.** Vous ouvrez la porte aux accidents si vous transportez les outils électriques avec le doigt sur l'interrupteur ou si vous les branchez alors que l'interrupteur est en position de marche.
4. **Retirez toute clé de réglage ou de serrage avant de mettre l'outil électrique sous tension.** Toute clé laissée en place sur une pièce rotative de l'outil électrique peut entraîner une blessure.
5. **Ne vous étirez pas exagérément. Assurez-vous d'une bonne prise au sol et d'un bon équilibre en tout temps.** Cela vous permettra d'avoir une meilleure maîtrise de l'outil électrique dans les situations imprévues.
6. **Portez des vêtements adéquats. Ne portez ni vêtements amples ni bijoux. Gardez vos cheveux, vêtements et gants à l'écart des pièces en mouvement.** Les vêtements amples, bijoux ou cheveux longs peuvent être happés par les pièces en mouvement.
7. **Si des accessoires sont fournis pour raccorder un appareil d'aspiration et de collecte de la poussière, assurez-vous qu'ils sont correctement raccordés et qu'ils sont utilisés de manière adéquate.** L'utilisation d'un appareil de collecte permet de réduire les risques liés à la présence de poussière dans l'air.
8. **Évitez d'être complaisant et d'ignorer les principes de sécurité de l'outil en raison de la familiarité acquise par un usage fréquent des outils.** Un geste imprudent peut entraîner une grave blessure en une fraction de seconde.
9. **Portez toujours des lunettes à coques de protection pour protéger vos yeux contre les blessures lors de l'utilisation d'outils électriques. Les lunettes à coques doivent être conformes à ANSI Z87.1 aux États-Unis.** L'employeur a la responsabilité d'imposer l'utilisation d'équipements de protection de sécurité adéquats aux utilisateurs des outils électriques et à toute autre personne se trouvant dans la zone de travail immédiate.

Utilisation et entretien des outils électriques

1. **Ne forcez pas l'outil électrique. Utilisez l'outil électrique adéquat suivant le type de travail à effectuer.** Si vous utilisez l'outil électrique adéquat et respectez le régime pour lequel il a été conçu, il effectuera un travail de meilleure qualité et plus sécuritaire.
2. **N'utilisez pas l'outil électrique s'il n'est pas possible de l'allumer et de l'éteindre avec son interrupteur.** Un outil électrique dont l'interrupteur est défectueux représente un danger et doit être réparé.
3. **Avant d'effectuer tout réglage, de remplacer un accessoire ou de ranger l'outil électrique, débranchez la fiche de la source d'alimentation et/ou retirez la batterie de l'outil électrique si elle est amovible.** Ces mesures préventives de sécurité réduisent les risques de démarrage accidentel de l'outil électrique.
4. **Après l'utilisation d'un outil électrique, rangez-le hors de portée des enfants et ne laissez aucune personne l'utiliser si elle n'est pas familiarisée avec l'outil électrique ou les présentes instructions d'utilisation.** Les outils électriques représentent un danger entre les mains de personnes qui n'en connaissent pas le mode d'utilisation.
5. **Effectuez l'entretien des outils électriques et des accessoires. Assurez-vous que les pièces mobiles ne sont pas désalignées ou coincées, qu'aucune pièce n'est cassée et que l'outil électrique n'a subi aucun dommage affectant son bon fonctionnement. Le cas échéant, faites réparer l'outil électrique avant de l'utiliser.** De nombreux accidents sont causés par des outils électriques mal entretenus.
6. **Maintenez les outils tranchants bien aiguisés et propres.** Un outil tranchant dont l'entretien est effectué correctement et dont les bords sont bien aiguisés risquera moins de se coincer et sera plus facile à maîtriser.

7. **Utilisez l'outil électrique, ses accessoires, ses embouts, etc., en respectant les présentes instructions, en tenant compte des conditions de travail et du type de travail à effectuer.** L'utilisation d'un outil électrique pour d'autres usages que ceux prévus peut entraîner une situation dangereuse.
8. **Gardez les poignées et surfaces de saisie sèches, propres et exemptes d'huile et de graisse.** Les poignées et surfaces de saisie glissantes ne permettent pas une manipulation sûre et une bonne maîtrise de l'outil dans les situations inattendues.
9. **Lors de l'utilisation de l'outil, ne portez pas de gants de travail en tissu qui risquent de s'enchevêtrer dans l'outil.** L'enchevêtrement de gants de travail en tissu dans les pièces en mouvement peut entraîner une blessure.

Utilisation et entretien des outils alimentés par batterie

1. **Pour recharger, utilisez uniquement le chargeur spécifié par le fabricant.** L'utilisation d'un chargeur conçu pour un type donné de bloc-piles comporte un risque d'incendie lorsqu'il est utilisé avec un autre type de bloc-piles.
2. **N'utilisez un outil électrique qu'avec le bloc-piles conçu spécifiquement pour cet outil.** Il y a risque de blessure ou d'incendie si un autre bloc-piles est utilisé.
3. **Lorsque vous n'utilisez pas le bloc-piles, rangez-le à l'écart des objets métalliques tels que trombones, pièces de monnaie, clés, clous, vis ou autres petits objets métalliques qui risqueraient d'établir une connexion entre les bornes.** La mise en court-circuit des bornes de batterie peut causer des brûlures ou un incendie.
4. **Dans des conditions d'utilisation inadéquates de la batterie, il peut y avoir fuite d'électrolyte; évitez tout contact avec ce liquide. En cas de contact accidentel, rincez avec beaucoup d'eau.** Si le liquide pénètre dans vos yeux, il faut aussi consulter un médecin. L'électrolyte qui s'échappe de la batterie peut causer des irritations ou des brûlures.
5. **N'utilisez pas une batterie ou un outil s'il est endommagé ou modifié.** Les batteries endommagées ou modifiées peuvent avoir un comportement imprévisible dont peut résulter un incendie, une explosion ou un risque de blessure.
6. **N'exposez pas une batterie ou un outil au feu ou à une température excessive.** L'exposition au feu ou à une température supérieure à 130 °C peut entraîner une explosion.
7. **Suivez toutes les instructions de charge et ne chargez pas la batterie ou l'outil à l'extérieur de la plage de température spécifiée dans les instructions.** Charger de manière inadéquate ou à des températures hors de la plage spécifiée peut endommager la batterie et augmenter le risque d'incendie.

Réparation

1. **Faites réparer votre outil électrique par un réparateur qualifié qui utilise des pièces de rechange identiques aux pièces d'origine.** Le maintien de la sûreté de l'outil électrique sera ainsi assuré.
2. **N'essayez jamais de réparer les batteries endommagées.** La réparation des batteries ne doit être effectuée que par le fabricant ou par un fournisseur de service après-vente agréé.
3. **Suivez les instructions de lubrification et de remplacement des accessoires.**

4. **Ne modifiez pas ou n'essayez pas de réparer l'appareil ou la batterie autrement que tel qu'indiqué dans les instructions d'utilisation et d'entretien.**

CONSIGNES DE SÉCURITÉ POUR PERFORATEUR SANS FIL



1. **Portez des protections d'oreilles.** L'exposition au bruit peut entraîner des lésions de l'ouïe.
2. **Utilisez la ou les poignées auxiliaires si elles sont fournies avec l'outil.** Toute perte de maîtrise comporte un risque de blessure.
3. **Tenez l'outil électrique par ses surfaces de poigne isolées lorsque vous effectuez une opération au cours de laquelle l'accessoire de coupe peut entrer en contact avec des fils dissimulés.** Au contact d'un fil sous tension, l'accessoire de coupe peut mettre sous tension les parties métalliques dénudées de l'outil électrique et exposer l'utilisateur à une décharge électrique.
4. **Portez une coiffure rigide (un casque de sécurité), des lunettes de sécurité et/ou un écran facial. Les lunettes ordinaires et les lunettes de soleil NE sont PAS des lunettes de sécurité. Il est aussi vivement recommandé de porter un masque anti-poussières et des gants à rembourrage épais.**
5. **Avant l'utilisation, assurez-vous que l'embout est bien fixé en place.**
6. **Dans des conditions normales d'utilisation, l'outil est conçu pour produire des vibrations. Les vis peuvent se desserrer facilement et causer une panne ou un accident. Avant l'utilisation, vérifiez soigneusement le serrage des vis.**
7. **Par temps froid ou lorsque l'outil est resté inutilisé pendant une longue période, faites-le réchauffer pendant un moment en le faisant tourner à vide. Cela réchauffera le lubrifiant. Sans un réchauffement adéquat, le martelage s'effectue difficilement.**
8. **Pensez toujours à prendre pied solidement. Assurez-vous qu'il n'y a personne plus bas lorsque vous utilisez l'outil en position élevée.**
9. **Tenez l'outil fermement à deux mains.**
10. **Gardez les mains éloignées des pièces en mouvement.**
11. **Ne quittez pas l'outil pendant qu'il tourne. N'utilisez l'outil qu'une fois que vous l'avez bien en main.**
12. **Ne pointez l'outil vers personne autour de vous pendant l'utilisation. L'embout pourrait être éjecté et blesser quelqu'un grièvement.**
13. **Ne touchez pas l'embout, les pièces situées près de l'embout, ou la pièce immédiatement après l'utilisation; ils peuvent être extrêmement chauds et brûler votre peau.**
14. **Certains matériaux contiennent des produits chimiques qui peuvent être toxiques. Prenez les précautions nécessaires pour éviter l'inhalation de ces poussières ou leur contact avec la peau. Conformez-vous aux consignes de sécurité du fournisseur du matériau.**
15. **Assurez-vous toujours que l'outil est éteint et que la batterie et l'embout sont retirés avant de remettre l'outil à quelqu'un.**

CONSERVEZ CES INSTRUCTIONS.

⚠ MISE EN GARDE : NE vous laissez PAS tromper (au fil d'une utilisation répétée) par un sentiment d'aisance ou de familiarité avec le produit en négligeant les consignes de sécurité qui accompagnent le produit. **UNE UTILISATION INCORRECTE** ou le non-respect des règles de sécurité énoncées dans le présent manuel d'instructions peut provoquer des blessures graves.

Symboles

Les symboles utilisés pour l'outil sont indiqués ci-dessous.

v	volts
	courant continu
n_o	vitesse à vide
... /min r /min	tours ou alternances par minute
	nombre de frappes

Consignes de sécurité importantes pour la batterie

- Avant d'utiliser la batterie, lisez toutes les instructions et les mises en garde apposées sur (1) le chargeur de batterie, (2) la batterie et (3) le produit utilisant la batterie.
- Ne démontez pas la batterie.
- Cessez immédiatement l'utilisation si le temps de fonctionnement devient excessivement court. Il y a un risque de surchauffe, de brûlures, voire d'explosion.
- Si l'électrolyte pénètre dans vos yeux, rincez-les à l'eau claire et consultez immédiatement un médecin. Il y a un risque de perte de la vue.
- Ne court-circuitez pas la batterie :
 - Ne touchez les bornes avec aucun matériau conducteur.
 - Évitez de ranger la batterie dans un conteneur avec d'autres objets métalliques tels que clous, pièces de monnaie, etc.
 - Évitez d'exposer la batterie à l'eau ou à la pluie.

Un court-circuit de la batterie pourrait provoquer un fort courant, une surchauffe, parfois des brûlures et même une panne.

- Ne rangez pas l'outil ou la batterie dans des emplacements où la température peut atteindre ou dépasser 50 °C (122 °F).
- Ne jetez pas la batterie au feu même si elle est sérieusement endommagée ou complètement épuisée. La batterie peut exploser au contact du feu.
- Prenez garde d'échapper ou de heurter la batterie.
- N'utilisez pas une batterie si elle est endommagée.

- Les batteries lithium-ion fournies sont soumises aux exigences de la législation sur les marchandises dangereuses. Des exigences particulières sur l'emballage et l'étiquetage doivent être respectées lors du transport commercial par des tiers, des transitaires, etc. Pour préparer la marchandise à expédier, consultez un expert en matériaux dangereux si nécessaire. Respectez aussi les éventuelles réglementations nationales plus détaillées. Recouvrez de ruban isolant les contacts exposés, et emballez la batterie de sorte qu'elle ne puisse pas se déplacer à l'intérieur de l'emballage.
- Suivez la réglementation locale concernant l'élimination de la batterie.
- N'utilisez les batteries qu'avec les produits spécifiés par Makita. Installer les batteries sur des produits non conformes peut entraîner un incendie, une chaleur excessive, une explosion ou une fuite d'électrolyte.

CONSERVEZ CES INSTRUCTIONS.

⚠ ATTENTION : Utilisez exclusivement les batteries fabriquées par Makita. Les batteries autres que celles fabriquées par Makita ou les batteries modifiées peuvent exploser et causer un incendie, une blessure ou des dommages. Cela annule aussi la garantie Makita de l'outil et du chargeur Makita.

Conseils pour maintenir la durée de service maximale de la batterie

- Rechargez la batterie avant qu'elle ne soit complètement déchargée. Arrêtez toujours l'outil et rechargez la batterie quand vous remarquez que la puissance de l'outil diminue.
- Ne rechargez jamais une batterie complètement chargée. La surcharge réduit la durée de service de la batterie.
- Chargez la batterie à une température ambiante comprise entre 10 °C et 40 °C (50 °F et 104 °F). Si la batterie est chaude, laissez-la refroidir avant de la charger.
- Chargez la batterie si elle est restée inutilisée pendant une période prolongée (plus de six mois).

Importantes consignes de sécurité pour l'unité sans fil

- Évitez de démonter ou de modifier l'unité sans fil.
- Gardez l'unité sans fil hors de la portée des jeunes enfants. En cas d'absorption accidentelle, consultez immédiatement un médecin.
- N'utilisez l'unité sans fil qu'avec les outils Makita.
- N'exposez pas l'unité sans fil à la pluie ou à des surfaces mouillées.
- N'utilisez pas l'unité sans fil dans les emplacements où la température dépasse 50 °C (122 °F).
- N'utilisez pas l'unité sans fil dans les emplacements où des instruments médicaux, tels que stimulateurs cardiaques, se trouvent à proximité.
- N'utilisez pas l'unité sans fil dans les emplacements où des dispositifs automatiques se trouvent à proximité. L'utilisation peut provoquer des dysfonctionnements ou des erreurs sur les dispositifs automatiques.

8. N'utilisez pas l'unité sans fil dans un emplacement à température élevée ou un emplacement où de l'électricité statique ou du bruit électrique peuvent être générés.
9. L'unité sans fil peut générer des champs électromagnétiques (CEM), mais ils sont sans danger pour l'utilisateur.
10. L'unité sans fil est un instrument de précision. Évitez d'échapper ou de heurter l'unité sans fil.
11. Évitez de toucher la borne de l'unité sans fil à mains nues ou avec des objets métalliques.
12. Retirez toujours la batterie de l'outil avant d'y installer l'unité sans fil.
13. Lorsque vous ouvrez le couvercle de la fente, évitez de le faire dans un emplacement où la poussière et l'eau peuvent pénétrer dans la fente. Gardez toujours l'entrée de la fente propre.
14. Insérez toujours l'unité sans fil dans le bon sens.
15. N'appuyez pas trop fort sur le bouton d'activation sans fil de l'unité sans fil, et/ou n'appuyez pas sur le bouton avec un objet tranchant.
16. Pendant l'utilisation, fermez toujours le couvercle de la fente.
17. Ne retirez pas l'unité sans fil de la fente pendant que l'outil est alimenté en courant. Cela peut causer un dysfonctionnement de l'unité sans fil.
18. Ne retirez pas l'autocollant sur l'unité sans fil.
19. Ne mettez aucun autocollant sur l'unité sans fil.
20. Ne laissez pas l'unité sans fil dans un emplacement où de l'électricité statique ou du bruit électrique peuvent être générés.
21. Ne laissez pas l'unité sans fil dans un emplacement susceptible de chaleur intense, comme dans une voiture exposée au soleil.
22. Ne laissez pas l'unité sans fil dans un emplacement poussiéreux ou poudreux, ni dans un emplacement où des gaz corrosifs peuvent être générés.
23. Les variations soudaines de température peuvent humecter l'unité sans fil. N'utilisez l'unité sans fil qu'une fois qu'elle est bien sèche.
24. Pour nettoyer l'unité sans fil, essuyez-la doucement avec un linge doux et sec. N'utilisez pas de benzine, diluant, graisse conductrice ou produit similaire.
25. Lorsque vous rangez l'unité sans fil, gardez-la dans le boîtier fourni ou dans un contenant antistatique.
26. N'insérez aucun autre dispositif que l'unité sans fil Makita dans la fente de l'outil.
27. N'utilisez pas l'outil si le couvercle de la fente est endommagé. La pénétration d'eau, de poussières ou de saletés dans la fente peut entraîner un dysfonctionnement.
28. Évitez de tirer et/ou tordre le couvercle de la fente plus que nécessaire. Remettez le couvercle en place s'il se détache de l'outil.
29. Remplacez le couvercle de la fente si vous l'égarez ou s'il est endommagé.

CONSERVEZ CE MODE D'EMPLOI.

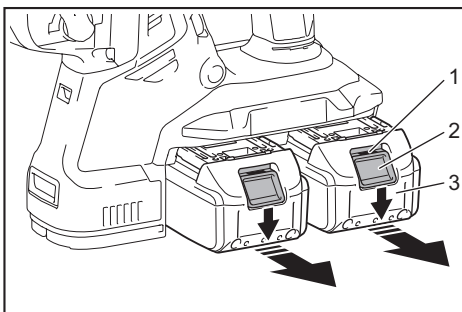
DESCRIPTION DU FONCTIONNEMENT

ATTENTION : Assurez-vous toujours que l'outil est éteint et que sa batterie est retirée avant de l'ajuster ou de vérifier son fonctionnement.

Installation ou retrait de la batterie

ATTENTION : Éteignez toujours l'outil avant d'installer ou de retirer la batterie.

ATTENTION : Tenez fermement l'outil et la batterie lors de l'installation ou du retrait de cette dernière. Si l'outil et la batterie ne sont pas tenus fermement, ils risquent de vous glisser des mains et de subir des dommages, ou encore de vous blesser.



► 1. Voyant rouge 2. Bouton 3. Batterie

Pour retirer la batterie, faites-la glisser hors de l'outil tout en glissant le bouton qui se trouve à l'avant.

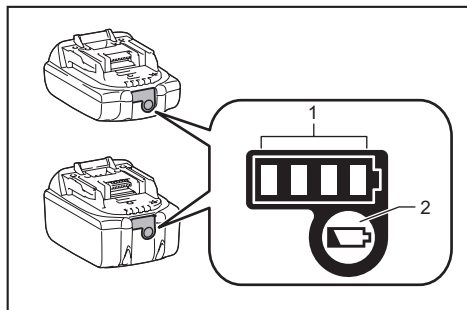
Pour installer la batterie, alignez sa languette sur la rainure pratiquée dans le boîtier, et glissez la batterie en place. Insérez-la à fond jusqu'à ce que vous entendiez un léger déclic. Si vous pouvez voir le voyant rouge sur le dessus du bouton, la batterie n'est pas complètement verrouillée.

ATTENTION : Installez toujours la batterie à fond jusqu'à ce que vous ne puissiez plus voir le voyant rouge. Autrement elle risque de tomber accidentellement de l'outil et d'entraîner des blessures.

ATTENTION : Ne forcez pas sur la batterie pour l'installer. Si la batterie ne glisse pas facilement, c'est qu'elle n'est pas insérée correctement.

Affichage de la charge restante de la batterie

Uniquement pour les batteries avec voyant



► 1. Témoins indicateurs 2. Bouton de vérification

Appuyez sur le bouton de vérification de la batterie pour afficher la charge restante de la batterie. Les témoins indicateurs s'allument pendant quelques secondes.

Témoins indicateurs			Charge restante
Allumé	Éteint	Clignotant	
■	□	▬	75 % à 100 %
■	■	■	50 % à 75 %
■	■	□	25 % à 50 %
■	□	□	0 % à 25 %
▬	□	□	Chargez la batterie.
■	■	□	La batterie a peut-être mal fonctionné.
□	□	■	

NOTE : Suivant les conditions d'utilisation et la température ambiante, il se peut que l'indication soit légèrement différente de la charge réelle.

Dispositif de protection de l'outil et de la batterie

L'outil est équipé d'un système de protection d'outil/batterie. Ce système coupe automatiquement l'alimentation du moteur pour augmenter la durée de vie de l'outil et de la batterie. L'outil s'arrête automatiquement pendant l'utilisation lorsque l'outil ou la batterie est dans l'une des situations suivantes :

Protection contre la surcharge

Lorsque la batterie est utilisée d'une façon qui lui fait consommer un courant anormalement élevé, l'outil s'arrête automatiquement, sans aucune indication. Dans ce cas, éteignez l'outil et arrêtez l'application qui a causé la surcharge de l'outil. Rallumez ensuite l'outil pour redémarrer.

Protection contre la surchauffe

Lorsque l'outil ou la batterie surchauffe, l'outil s'arrête automatiquement. Le cas échéant, laissez refroidir l'outil et la batterie avant de remettre l'outil en marche.

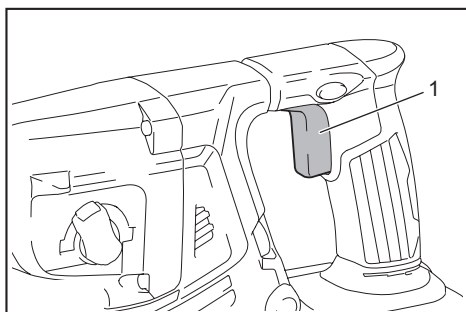
NOTE : Lorsque l'outil surchauffe, la lampe clignote.

Protection contre la décharge excessive

Lorsque la charge de la batterie est insuffisante, l'outil s'arrête automatiquement. Dans ce cas, retirez la batterie de l'outil et chargez la batterie.

Interrupteur

⚠ MISE EN GARDE : Avant d'insérer la batterie dans l'outil, vérifiez toujours que la gâchette fonctionne bien et revient en position d'arrêt lorsque libérée.

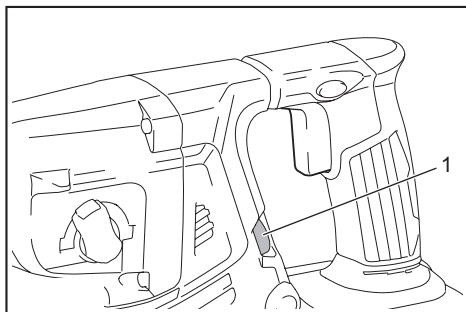


► 1. Gâchette

Pour démarrer l'outil, appuyez simplement sur la gâchette. La vitesse de l'outil augmente à mesure que l'on accroît la pression sur la gâchette. Pour arrêter, libérez la gâchette.

Changement de vitesse

Le nombre de tours et frappes par minute peut être réglé en tournant le cadran de réglage. Le cadran est marqué de 1 (vitesse la plus basse) à 5 (pleine vitesse).



► 1. Cadran de réglage

Reportez-vous au tableau ci-dessous pour la relation entre le numéro indiqué sur le cadran de réglage et le nombre de tours et de frappes par minute.

Numéro	Tours par minute	Frappes par minute
5	980	5 000
4	810	4 130
3	640	3 260
2	470	2 400
1	300	1 550

ATTENTION : Ne tournez pas le cadran de réglage pendant que l'outil tourne. Autrement, il y a risque de perte de contrôle de l'outil et de blessure.

AVIS : Si l'outil est utilisé de manière continue à vitesse réduite sur une période prolongée, le moteur sera surchargé et cela entraînera un mauvais fonctionnement de l'outil.

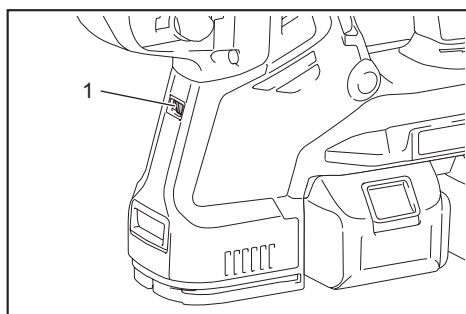
AVIS : Le cadran de réglage de la vitesse ne peut pas dépasser le 5 et le 1. Ne le forcez pas à dépasser le 5 ou le 1, sinon la fonction de réglage de la vitesse risque de ne plus fonctionner.

NOTE : Fonction de rotation douce à vide (Pour DHR282/DHR283)

Lorsque le cadran de réglage de la vitesse est sur la position « 3 » ou plus élevée, l'outil réduit automatiquement la vitesse de fonctionnement à vide pour atténuer les vibrations pendant qu'il tourne à vide. Une fois le travail commencé avec un embout placé contre le béton, les frappes par minute augmentent et atteignent les nombres indiqués dans le tableau. Lorsque la température est basse et que la graisse est moins fluide, il se peut que cette fonction de l'outil soit inopérante même si le moteur tourne.

Cette fonction n'est pas disponible lorsque le dispositif de collecte des poussières est installé.

Allumage de la lampe avant



► 1. Lampe

ATTENTION : Évitez de regarder directement le faisceau lumineux ou sa source.

Appuyez sur la gâchette pour allumer la lampe. La lampe reste allumée tant que vous appuyez sur la gâchette. La lampe s'éteint environ 10 secondes après avoir relâché la gâchette.

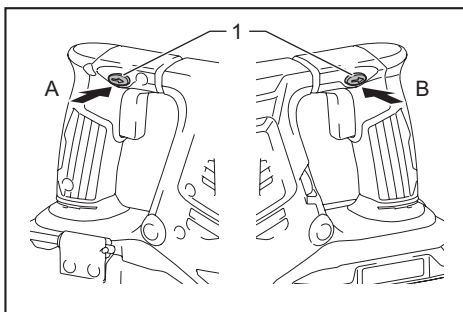
ATTENTION : Pour DHR282/DHR283

Si la lampe s'éteint après avoir clignoté pendant quelques secondes, cela signifie que la technologie de détection à réaction active ou la fonction de rotation douce à vide ne fonctionne pas bien. Demandez à votre centre de service après-vente Makita de faire la réparation.

NOTE : Utilisez un linge sec pour enlever les poussières sur la lentille de la lampe. Prenez garde de rayer la lentille de la lampe, car cela peut affecter son intensité d'éclairage.

NOTE : Si le dispositif de collecte des poussières est installé sur l'outil, c'est la lampe du dispositif qui s'allume au lieu de celle de l'outil.

Fonctionnement de l'inverseur



► 1. Levier inverseur

ATTENTION : Vérifiez toujours le sens de rotation avant de mettre l'outil en marche.

ATTENTION : N'actionnez l'inverseur qu'une fois l'outil complètement arrêté. Si vous changez le sens de rotation avant l'arrêt de l'outil, vous risquez de l'endommager.

ATTENTION : Lorsque vous n'utilisez pas l'outil, placez toujours le levier inverseur en position neutre.

L'outil possède un inverseur qui permet de changer le sens de rotation. Enfoncez le levier inverseur du côté A pour une rotation dans le sens des aiguilles d'une montre, ou du côté B pour une rotation dans le sens contraire des aiguilles d'une montre.

La pression sur la gâchette n'est pas possible lorsque le levier inverseur se trouve en position neutre.



Remplacement du mandrin à changement rapide pour SDS-plus

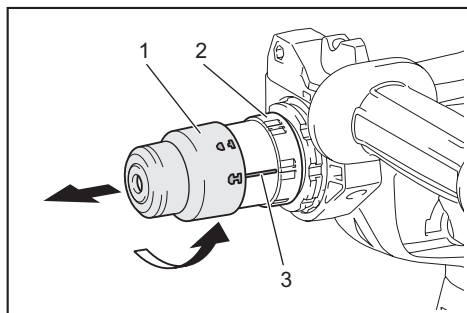
Pour DHR281/DHR283

Le mandrin à changement rapide pour SDS-plus peut être facilement remplacé par le mandrin de perceuse à changement rapide.

Retrait du mandrin à changement rapide pour SDS-plus


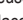
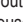
ATTENTION : Avant de retirer le mandrin à changement rapide pour SDS-plus, veillez à retirer l'embout.

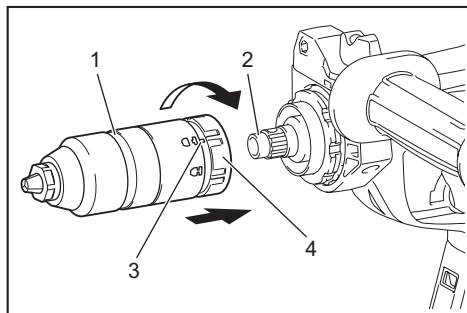
Saisissez le couvercle de changement du mandrin à changement rapide pour SDS-plus, et tournez-le dans le sens de la flèche jusqu'à ce que la ligne de couvercle de changement se déplace du symbole  au symbole . Tirez fermement dans le sens de la flèche.



► 1. Mandrin à changement rapide pour SDS-plus 2. Couvercle de changement 3. Ligne de couvercle de changement

Pose du mandrin de perceuse à changement rapide

Vérifiez que la ligne du mandrin de perceuse à changement rapide indique le symbole . Saisissez le couvercle de changement du mandrin de perceuse à changement rapide et mettez la ligne sur le symbole . Placez le mandrin de perceuse à changement rapide sur l'axe de l'outil. Saisissez le couvercle de changement du mandrin de perceuse à changement rapide, et tournez la ligne de couvercle de changement vers le symbole  jusqu'à ce qu'un bruit de déclic soit émis de manière nettement audible.




► 1. Mandrin de perceuse à changement rapide 2. Axe 3. Ligne de couvercle de changement 4. Couvercle de changement

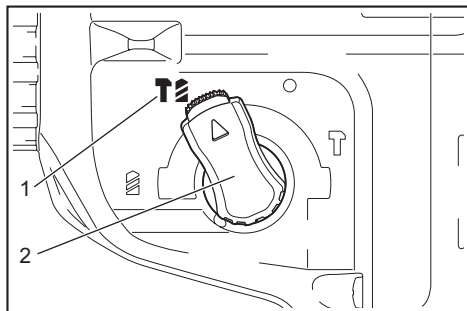
Sélection du mode de fonctionnement

AVIS : Ne tournez pas le bouton de changement de mode pendant que l'outil tourne. L'outil serait endommagé.

AVIS : Pour éviter que le mécanisme de changement de mode ne s'use rapidement, vous devez toujours vous assurer que le bouton de changement de mode est placé avec exactitude sur une des trois positions de mode.


Rotation avec percussion

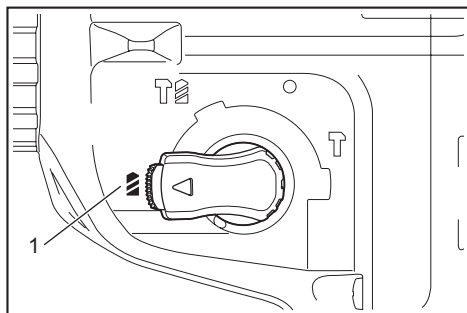
Pour percer dans le béton, la maçonnerie, etc., tournez le bouton de changement de mode jusqu'au symbole . Utilisez un embout à pointe de carbure de tungstène (accessoire en option).



► 1. Rotation avec percussion 2. Bouton de changement de mode


Rotation uniquement

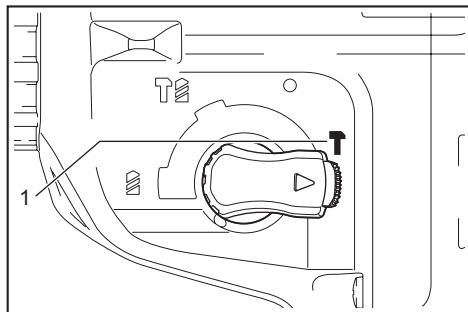
Pour percer dans le bois, le métal ou le plastique, tournez le bouton de changement de mode jusqu'au symbole . Utilisez un embout-mèche hélicoïdal ou un embout-mèche à bois.



► 1. Rotation uniquement

Percussion uniquement

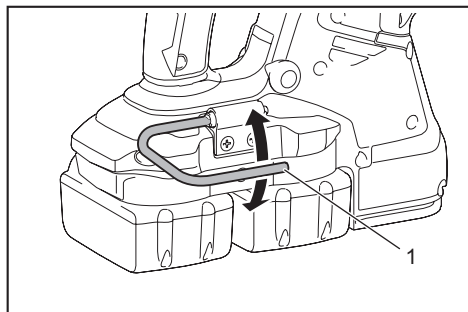
Pour le burinage, l'écaillage ou la démolition, tournez le bouton de changement de mode jusqu'au symbole . Utilisez un pic, un ciseau à froid, un ciseau à écailler, etc.



► 1. Percussion uniquement

Crochet

⚠ ATTENTION : N'accrochez jamais l'outil dans un emplacement élevé ou sur une surface potentiellement instable.



► 1. Crochet

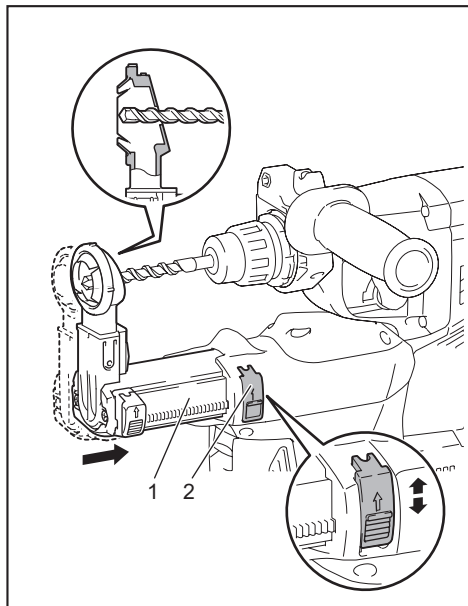
Le crochet est pratique pour accrocher l'outil temporairement.

Pour utiliser le crochet, soulevez-le simplement jusqu'à ce qu'il se mette en position ouverte avec un bruit sec. Lorsque vous n'utilisez pas le crochet, abaissez-le toujours jusqu'à ce qu'il se mette en position fermée avec un bruit sec.

Réglage de la position de la buse du dispositif de collecte des poussières

Accessoire en option

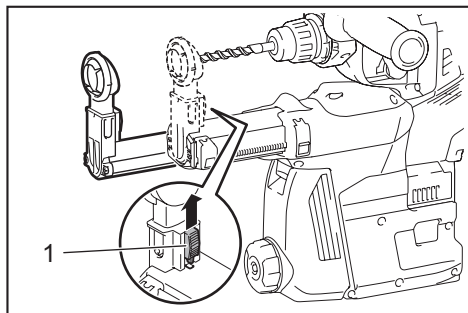
Enfoncez le guide tout en poussant vers le haut le bouton de réglage du guide, puis libérez le bouton à la position désirée.



► 1. Guide 2. Bouton de réglage du guide

NOTE : Avant de régler la position de la buse, libérez la buse complètement vers l'avant en poussant vers le haut le bouton de réglage du guide.

Si un long embout-mèche est installé, allongez le guide en poussant vers le haut le bouton d'extension.

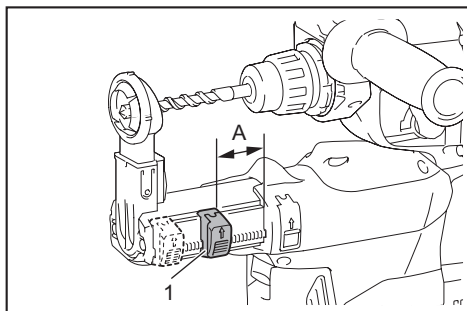


► 1. Bouton d'extension

Réglage de la profondeur de perçage du dispositif de collecte des poussières

Accessoire en option

Glissez le bouton de réglage de la profondeur sur la position désirée tout en le poussant vers le haut. La distance (A) correspond à la profondeur de perçage.



► 1. Bouton de réglage de la profondeur

Limiteur de couple

AVIS : Mettez l'outil hors tension dès que le limiteur de couple se déclenche. Cela aidera à éviter l'usure trop rapide de l'outil.

AVIS : Cet outil n'est pas conçu pour l'utilisation des embouts-mèches de type scie cloche, car ils ont tendance à se coincer facilement dans le trou pendant le perçage. Cela cause donc le déclenchement trop fréquent du limiteur de couple.

Le limiteur de couple s'active lorsqu'un certain niveau de couple est atteint. L'embrayage se met alors à patiner. Dès que cela se produit, l'embout-mèche arrête de tourner.

Fonctions électroniques

L'outil est doté de fonctions électroniques qui facilitent son utilisation.

- Commande de vitesse constante
La fonction de commande de vitesse procure une vitesse de rotation constante, quelle que soit la charge.
- Technologie de détection à rétroaction active (Pour DHR282/DHR283)
Si l'outil est basculé avec l'accélération prédéterminée pendant l'utilisation, le moteur est forcé de s'arrêter pour réduire la charge sur le poignet.

NOTE : Cette fonction ne s'active pas si l'accélération n'atteint pas la valeur prédéterminée lors du basculement de l'outil.

NOTE : Si l'embout est basculé avec l'accélération prédéterminée pendant le burinage, l'écaillage ou la démolition, le moteur est forcé de s'arrêter. Le cas échéant, libérez la gâchette puis appuyez dessus pour redémarrer l'outil.

Frein électrique

Cet outil est muni d'un frein électrique. Si la libération du levier de la gâchette ne permet jamais d'arrêter promptement l'outil, faites-le réparer dans un centre de service après-vente Makita.

ASSEMBLAGE

ATTENTION : Assurez-vous toujours que l'outil est éteint et que sa batterie est retirée avant d'effectuer tout travail dessus.

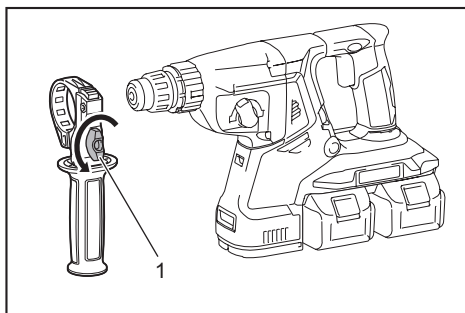
Poignée latérale (poignée auxiliaire)

ATTENTION : Utilisez toujours la poignée latérale pour assurer l'utilisation sécuritaire.

ATTENTION : Après avoir posé ou ajusté la poignée latérale, assurez-vous que la poignée latérale est fermement fixée.

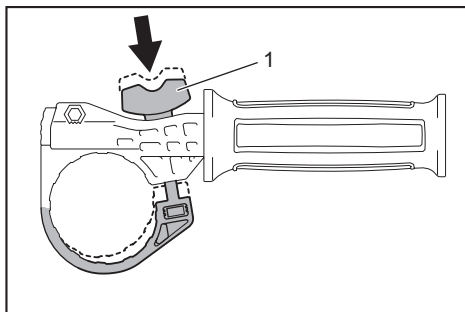
Pour installer la poignée latérale, suivez les étapes ci-dessous.

1. Desserrez la vis à oreilles sur la poignée latérale.



► 1. Vis à oreilles

2. Fixez la poignée latérale tout en appuyant sur la vis à oreilles de sorte que les rainures de la poignée s'adaptent aux parties saillantes sur le barillet de l'outil.



► 1. Vis à oreilles

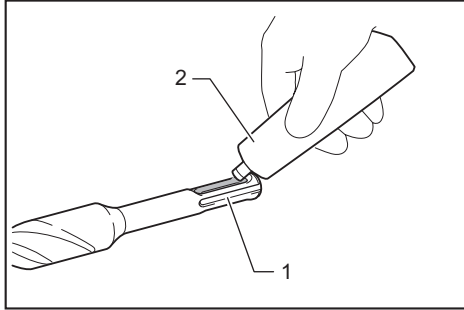
3. Serrez la vis à oreilles pour fixer la poignée. La poignée peut être fixée sur l'angle désiré.

Graisse

Graissez à l'avance la queue de l'embout-mèche avec une petite quantité de graisse (environ 0,5 à 1 g). La lubrification du mandrin assurera un mouvement en douceur et une plus longue durée de service.

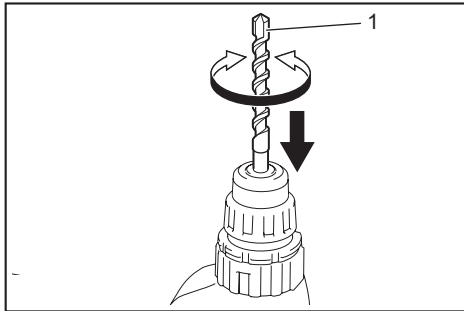
Pose ou retrait de l'embout-mèche

Nettoyez la queue de l'embout-mèche et appliquez de la graisse avant de l'installer.



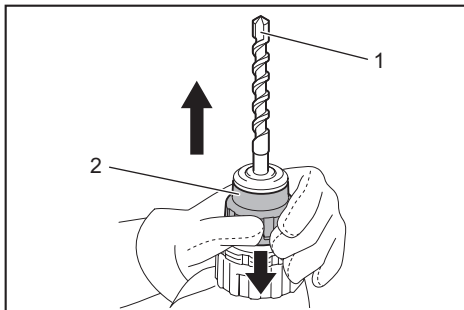
► 1. Queue 2. Graisse

Insérez l'embout-mèche dans l'outil. Tournez l'embout-mèche et enfoncez-le jusqu'à ce qu'il s'engage. Après avoir installé l'embout-mèche, assurez-vous toujours qu'il est fermement fixé en tirant dessus.



► 1. Embout-mèche

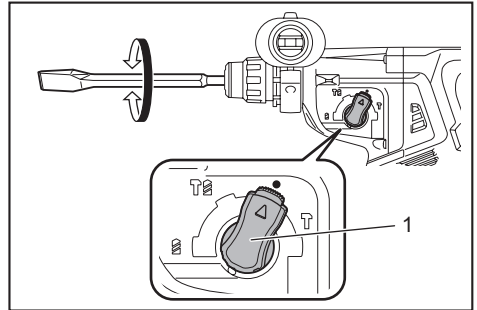
Pour retirer l'embout-mèche, tirez le couvercle du mandrin complètement vers le bas, et tirez sur l'embout-mèche.



► 1. Embout-mèche 2. Couvercle du mandrin

Angle du ciseau (pour le burinage, l'écaillage ou la démolition)

Vous pouvez fixer le ciseau sur l'angle désiré. Pour modifier l'angle du ciseau, tournez le bouton de changement de mode jusqu'au symbole O. Tournez le ciseau jusqu'à l'angle désiré.



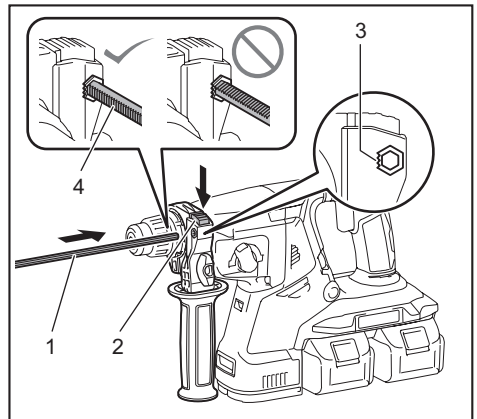
► 1. Bouton de changement de mode

Tournez le bouton de changement de mode jusqu'au symbole T. Assurez-vous ensuite que le ciseau demeure fermement en place, en essayant de le faire tourner légèrement.

Jauge de profondeur

La jauge de profondeur est utile pour percer des trous de même profondeur.

En maintenant le bouton de verrouillage enfoncé, insérez la jauge de profondeur dans le trou hexagonal. Assurez-vous que la face dentelée de la jauge de profondeur est orientée vers la marque.



► 1. Jauge de profondeur 2. Bouton de verrouillage 3. Marque 4. Côté dentelé

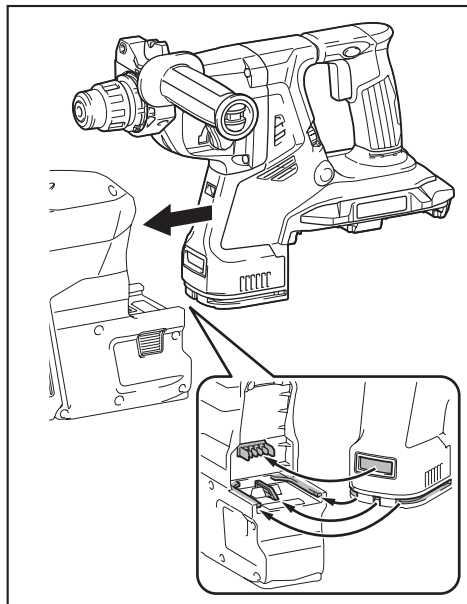
Réglez la jauge de profondeur en la déplaçant vers l'avant et l'arrière tout en appuyant sur le bouton de verrouillage. Après le réglage, libérez le bouton de verrouillage pour verrouiller la jauge de profondeur.

NOTE : En fixant la jauge de profondeur, assurez-vous qu'elle ne touche pas le corps principal de l'outil.

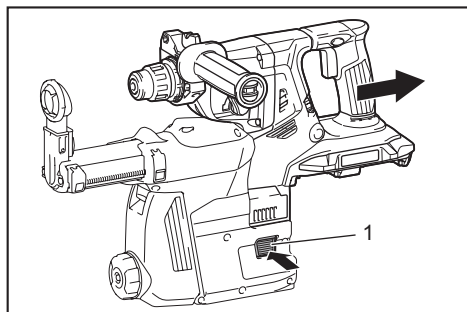
Pose ou retrait du dispositif de collecte des poussières

Accessoire en option

Pour poser le dispositif de collecte des poussières, insérez l'outil à fond dans le dispositif de collecte des poussières, jusqu'à ce qu'il se verrouille avec un petit son de double déclic.



Pour retirer le dispositif de collecte des poussières, tirez sur l'outil tout en appuyant sur le bouton de sécurité.



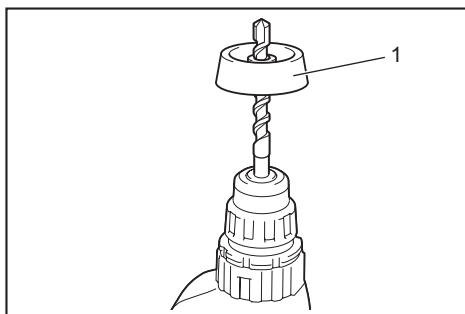
► 1. Bouton de sécurité

Collecteur de poussières

Accessoire en option

Utilisez le collecteur de poussières pour éviter que la poussière ne tombe de l'outil et sur vous-même lorsque vous percez au-dessus de votre tête. Fixez le collecteur de poussières à l'embout tel qu'illustré sur la figure. Le collecteur de poussières peut être fixé aux embouts des dimensions suivantes.

Modèle	Diamètre d'embout
Collecteur de poussières 5	6 mm (1/4") - 14,5 mm (9/16")
Collecteur de poussières 9	12 mm (15/32") - 16 mm (5/8")

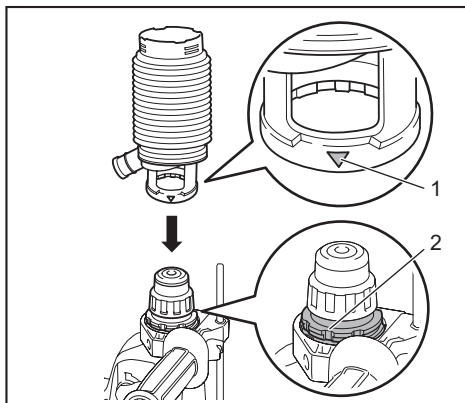


► 1. Collecteur de poussières

Ensemble de collecteur de poussières

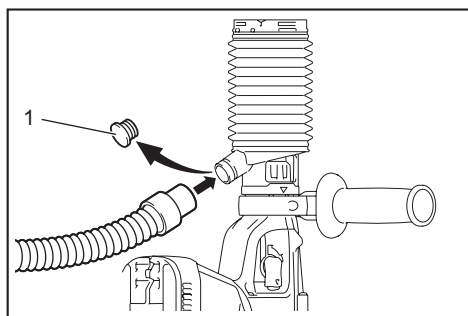
Accessoire en option

Avant d'installer l'ensemble de collecteur de poussières, retirez l'embout de l'outil s'il y est installé. Posez l'ensemble de collecteur de poussières sur l'outil de sorte que le symbole Δ du collecteur de poussières soit aligné sur la rainure à l'intérieur de l'outil.



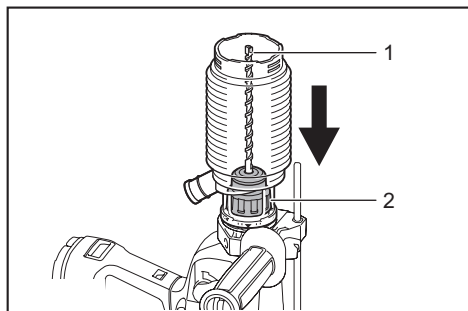
► 1. Δ Symbole 2. Rainure

NOTE : Si vous raccordez un aspirateur à l'ensemble de collecteur de poussières, retirez d'abord le capuchon à poussières.



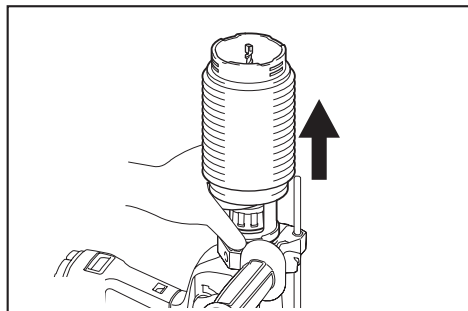
► 1. Capuchon à poussières

Pour retirer l'ensemble de collecteur de poussières, retirez l'embout tout en tirant le couvercle du mandrin dans le sens de la flèche.

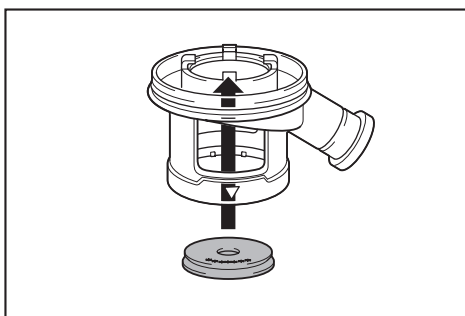


► 1. Embout 2. Couvercle du mandrin

Saisissez le collecteur de poussières par sa base et dégagez-le en tirant.



NOTE : Si le capuchon se détache du collecteur de poussières, fixez-le avec sa face imprimée orientée vers le haut, de sorte que la rainure du capuchon épouse le pourtour intérieur de l'accessoire.



UTILISATION

⚠ ATTENTION : En tout temps, utilisez la poignée latérale (poignée auxiliaire) et tenez fermement l'outil par la poignée latérale et la poignée à interrupteur pendant l'exécution des travaux.

⚠ ATTENTION : Avant l'utilisation, assurez-vous que la pièce à travailler est fixée.

⚠ ATTENTION : Ne retirez pas l'outil par la force même si l'embout se coince. Une perte de contrôle peut causer une blessure.

⚠ ATTENTION : Le dispositif de collecte des poussières est conçu uniquement pour le perçage dans le béton. N'utilisez pas le dispositif de collecte des poussières pour percer dans le métal ou le bois.

⚠ ATTENTION : Lorsque vous utilisez l'outil avec le dispositif de collecte des poussières, veillez à fixer le filtre au dispositif de collecte des poussières pour éviter l'inhalation de poussières.

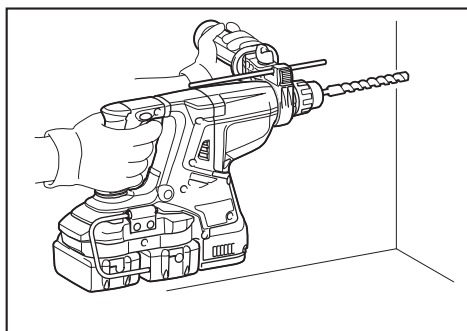
⚠ ATTENTION : Avant d'utiliser le dispositif de collecte des poussières, assurez-vous que le filtre n'est pas endommagé. Autrement, il y a risque d'inhalation de poussières.

⚠ ATTENTION : Le dispositif de collecte des poussières collecte en grande partie les poussières générées, mais il ne peut pas toutes les collecter.

AVIS : N'utilisez pas le dispositif de collecte des poussières pour percer avec un trépan ou pour brûler.


AVIS : N'utilisez pas le dispositif de collecte des poussières pour percer dans le béton mouillé, et ne l'utilisez pas dans un environnement humide. Autrement, il y a risque de dysfonctionnement.

NOTE : Si la température de la batterie est basse, il se peut que l'outil ne puisse pas fonctionner à pleine capacité. Dans ce cas, réchauffez la batterie en faisant tourner l'outil à vide un moment pour qu'il puisse fonctionner à pleine capacité.



Perçage avec percussion

ATTENTION : Une force de torsion énorme et soudaine s'exerce sur l'outil et l'embout-mèche lors du perçage du trou, lorsque ce dernier est bouché par des copeaux et particules ou lors du contact avec les armatures d'une structure en béton. **En tout temps, utilisez la poignée latérale (poignée auxiliaire) et tenez fermement l'outil par la poignée latérale et la poignée à interrupteur pendant l'exécution des travaux.** Autrement vous risquez de perdre le contrôle de l'outil et courez un risque de blessure grave.


Mettez le bouton de changement de mode sur le symbole .

Placez l'embout-mèche à l'emplacement où vous souhaitez faire le trou, puis appuyez sur la gâchette. N'appliquez pas une force excessive sur l'outil. Vous obtiendrez de meilleurs résultats en exerçant une légère pression. Maintenez l'outil en position et évitez qu'il ne glisse à l'extérieur du trou.

N'appliquez pas davantage de pression lorsque le trou est bouché par les copeaux et particules. Faites plutôt tourner l'outil au ralenti, puis retirez partiellement l'embout-mèche du trou. En répétant cette opération quelques fois, le trou se débouchera et vous pourrez poursuivre le perçage normalement.

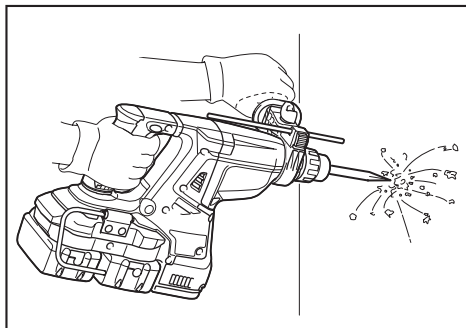
NOTE : Lorsque l'outil tourne à vide, il se peut que l'embout-mèche tourne de manière excentrique. L'outil se centrera lui-même lors de l'utilisation avec charge. La précision du perçage n'est donc pas affectée.

Burinage/Écaillage/Démolition

Mettez le bouton de changement de mode sur le symbole .

Tenez l'outil fermement à deux mains. Mettez le contact et appliquez une légère pression sur l'outil de façon à en garder la maîtrise et à éviter qu'il ne saute d'un côté ou de l'autre.

L'application d'une très grande pression sur l'outil n'augmentera pas l'efficacité de l'opération.



Perçage du bois ou du métal

ATTENTION : Tenez l'outil fermement et faites bien attention lorsque l'embout-foret commence à approcher de la face opposée de la pièce. Une force énorme s'exerce sur l'outil et sur l'embout-foret au moment où ce dernier émerge de la face opposée.


ATTENTION : Un embout-foret coincé peut être retiré simplement en plaçant l'inverseur sur la rotation en sens inverse pour faire reculer l'outil. Il faut toutefois faire très attention, car l'outil risque de reculer brusquement si vous ne le tenez pas fermement.

ATTENTION : Immobilisez toujours les pièces à travailler dans un étau ou un dispositif de retenue similaire.

AVIS : N'utilisez jamais le mode « rotation avec percussion » lorsque le mandrin porte-embout est posé sur l'outil. Vous risqueriez d'abîmer le mandrin porte-embout.

De plus, le mandrin porte-embout se détacherait quand l'outil passe en mode de rotation inversé.

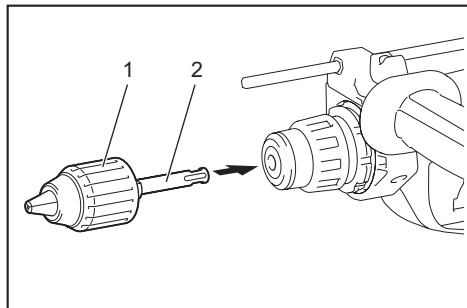
AVIS : Une pression excessive sur l'outil n'accélère pas le perçage. Au contraire, elle risque d'endommager la pointe de l'embout-foret, d'affecter le rendement de l'outil et de raccourcir sa durée de service.

Mettez le bouton de changement de mode sur le symbole .

Pour DHR280/DHR282

Accessoire en option

Fixez l'adaptateur de mandrin à un mandrin de perceuse sans clé sur lequel une vis 1/2"-20 peut être posée, puis posez-les sur l'outil. Pour l'installer, reportez-vous à la section « Installation ou retrait de l'embout-mèche ».

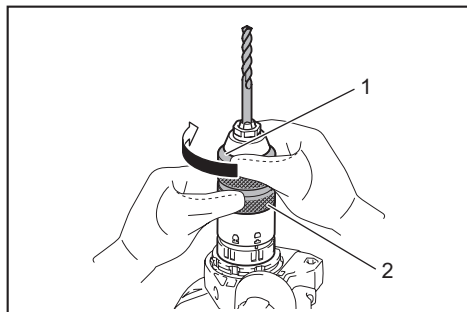


► 1. Mandrin de perceuse sans clé 2. Adaptateur de mandrin

Pour DHR281/DHR283

Utilisez le mandrin de perceuse à changement rapide fourni en équipement standard. Pour l'installer, reportez-vous à « Remplacement du mandrin à changement rapide pour SDS-plus ».

Saisissez la bague et tournez le manchon dans le sens contraire des aiguilles d'une montre pour ouvrir les mâchoires du mandrin. Insérez l'embout à fond dans le mandrin. Tenez la bague fermement et tournez le manchon dans le sens des aiguilles d'une montre pour serrer le mandrin.




► 1. Manchon 2. Bague

Pour retirer l'embout, saisissez la bague et tournez le manchon dans le sens contraire des aiguilles d'une montre.

Perçage avec un trépan diamanté

AVIS : Vous risquez d'abîmer le trépan diamanté si vous percez avec un trépan diamanté en mode « rotation avec percussion ».

Pour percer avec un trépan diamanté, réglez toujours le levier de changement de mode sur la position  pour un mouvement de « rotation uniquement ».

Battre les poussières sur le filtre

Accessoire en option

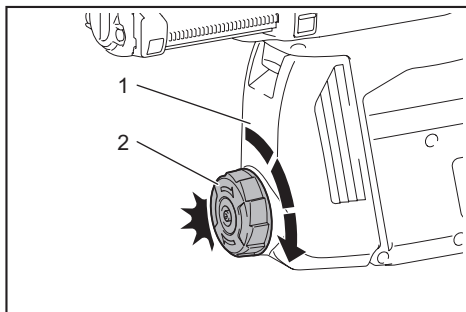
ATTENTION : Ne tournez pas le cadran sur le compartiment à poussières pendant que ce dernier est retiré du dispositif de collecte des poussières. Vous risqueriez d'inhaler des poussières.

ATTENTION : Éteignez toujours l'outil avant de tourner le cadran sur le compartiment à poussières. Vous risquez de perdre le contrôle de l'outil si vous tournez le cadran pendant que l'outil est en marche.

En battant les poussières sur le filtre à l'intérieur du compartiment à poussières, vous pouvez maintenir l'efficacité d'aspiration et jeter les poussières moins souvent.

Tournez le cadran trois fois sur le compartiment à poussières chaque fois que vous avez collecté 50 000 mm³ de poussières ou lorsque vous sentez que l'efficacité d'aspiration a diminué.

NOTE : 50 000 mm³ de poussières équivalent au perçage de 10 trous de $\varnothing 10$ mm d'une profondeur de 65 mm (14 trous de $\varnothing 3/8$ " d'une profondeur de 2").



► 1. Compartiment à poussières 2. Cadran

Mise au rebut des poussières

Accessoire en option

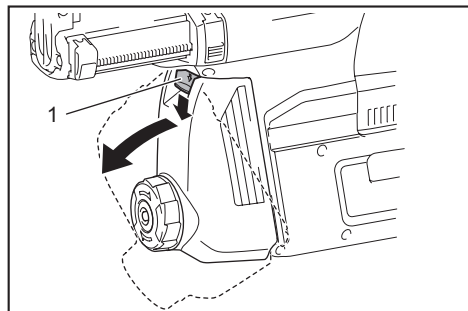
ATTENTION : Assurez-vous toujours que l'outil est éteint et que sa batterie est retirée avant d'effectuer tout travail dessus.

ATTENTION : Veillez à porter un masque anti-poussières lorsque vous mettez les poussières au rebut.

ATTENTION : Videz régulièrement le compartiment à poussières avant qu'il ne soit plein. L'ignorance de cette consigne peut rendre la collecte des poussières moins efficace et entraîner l'inhalation de poussières.

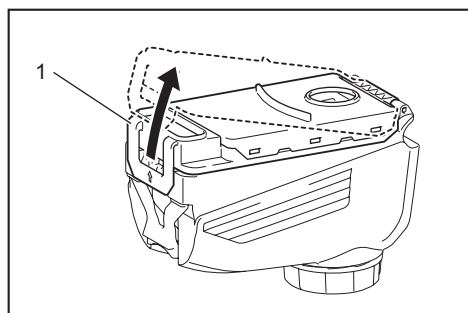
ATTENTION : La collecte des poussières est moins efficace lorsque le filtre du compartiment à poussières est obstrué. Remplacez le filtre par un neuf après l'avoir vidé, comme valeur guide, environ 200 fois. Autrement, il y a risque d'inhalation de poussières.

1. Retirez le compartiment à poussières tout en abaissant le levier du compartiment à poussières.



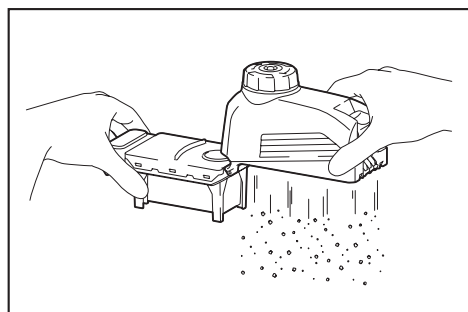
► 1. Levier

2. Ouvrez le couvercle du compartiment à poussières.



► 1. Couvercle

3. Jetez les poussières, puis nettoyez le filtre.

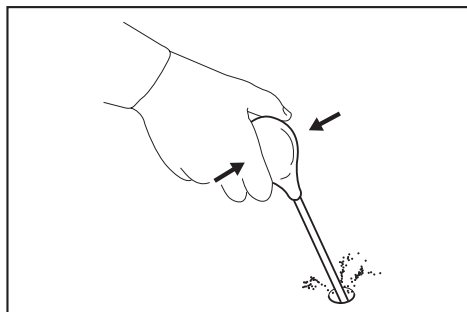


AVIS : Lorsque vous nettoyez le filtre, ne le touchez pas avec une brosse ou autre instrument similaire, et n'appliquez pas d'air comprimé sur le filtre. Cela pourrait endommager le filtre.

Poire soufflante

Accessoire en option

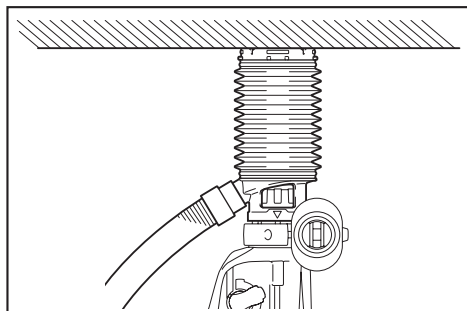
Après avoir percé le trou, utilisez la poire soufflante pour enlever la poussière du trou.



Utilisation de l'ensemble de collecteur de poussières

Accessoire en option

Appliquez l'ensemble de collecteur de poussières contre le plafond lorsque vous utilisez l'outil.



AVIS : Ne pas utiliser l'ensemble de collecteur de poussières lors du perçage dans le métal ou un matériau similaire. Cela risquerait d'endommager l'ensemble de collecteur de poussières, à cause de la chaleur produite par les petites poussières métalliques ou similaires.

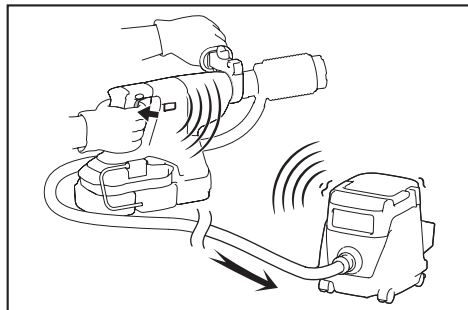
AVIS : Ne pas installer ou retirer l'ensemble de collecteur de poussières alors que l'embout-mèche est inséré dans l'outil. Cela risquerait d'endommager l'ensemble de collecteur de poussières et de laisser s'échapper les poussières.

FONCTION D'ACTIVATION SANS FIL

Accessoire en option pour DHR282/DHR283

Ce que vous pouvez faire avec la fonction d'activation sans fil

La fonction d'activation sans fil permet une utilisation propre et confortable. En raccordant un aspirateur compatible à l'outil, vous pouvez activer l'aspirateur automatiquement lorsque vous utilisez l'interrupteur de l'outil.



Pour utiliser la fonction d'activation sans fil, préparez les éléments suivants :

- Une unité sans fil (accessoire en option)
- Un aspirateur compatible avec la fonction d'activation sans fil

Le réglage de la fonction d'activation sans fil est résumé ci-dessous. Pour les procédures détaillées, reportez-vous à chacune des sections.

1. Installer l'unité sans fil
2. Enregistrement d'outil pour l'aspirateur
3. Démarrer la fonction d'activation sans fil

Installer l'unité sans fil

Accessoire en option

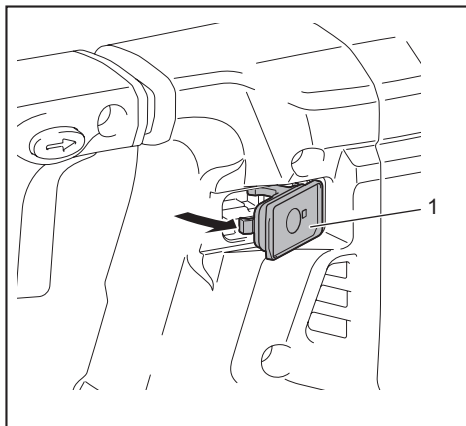
ATTENTION : Mettez l'outil sur une surface plane et stable lorsque vous installez l'unité sans fil.

AVIS : Avant d'installer l'unité sans fil, enlevez les poussières et saletés sur l'outil. Les poussières ou saletés peuvent causer un dysfonctionnement si elles pénètrent dans la fente de l'unité sans fil.

AVIS : Pour éviter que l'électricité statique ne cause un dysfonctionnement, ne prenez l'unité sans fil qu'après avoir touché un objet qui éliminera l'électricité statique, par exemple, une partie métallique de l'outil.

AVIS : Lorsque vous installez l'unité sans fil, assurez-vous toujours qu'elle est insérée dans le bon sens et que le couvercle est complètement fermé.

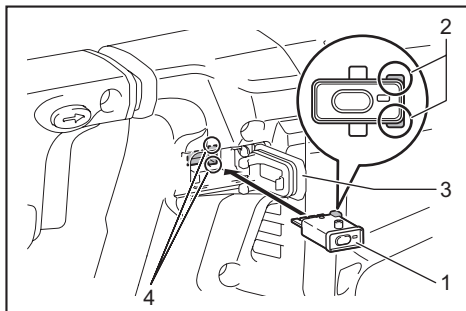
1. Ouvrez le couvercle sur l'outil, tel qu'indiqué sur la figure.



- 1. Couvercle

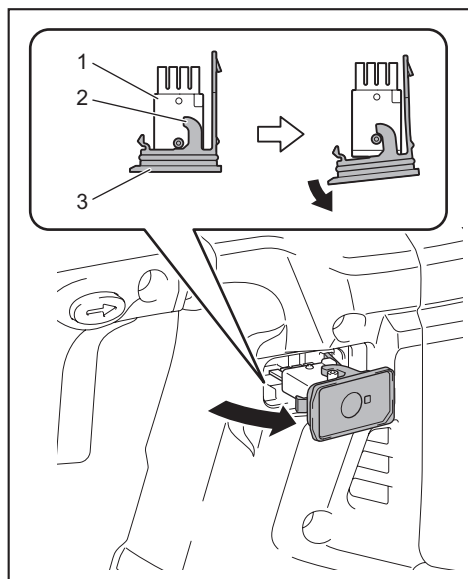
2. Insérez l'unité sans fil dans la fente, puis fermez le couvercle.

Lors de l'insertion de l'unité sans fil, alignez les parties saillantes sur les parties creuses de la fente.



- 1. Unité sans fil 2. Partie saillante 3. Couvercle
4. Partie creuse

Lorsque vous retirez l'unité sans fil, ouvrez lentement le couvercle. Les crochets à l'arrière du couvercle soulèveront l'unité sans fil à mesure que vous tirerez le couvercle vers le haut.



► 1. Unité sans fil 2. Crochet 3. Couvercle

Après avoir retiré l'unité sans fil, gardez-la dans le boîtier fourni ou dans un contenant antistatique.

AVIS : Utilisez toujours les crochets à l'arrière du couvercle lorsque vous retirez l'unité sans fil. Si les crochets ne saisissent pas l'unité sans fil, fermez complètement le couvercle et rouvrez-le lentement.

Enregistrement d'outil pour l'aspirateur

NOTE : Un aspirateur Makita compatible avec la fonction d'activation sans fil est nécessaire pour l'enregistrement d'outil.

NOTE : Terminez l'installation de l'unité sans fil sur l'outil avant de commencer l'enregistrement d'outil.

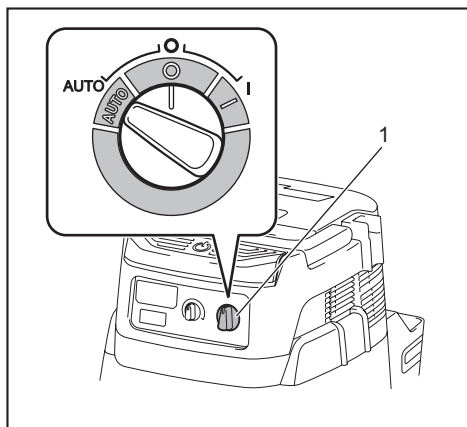
NOTE : Pendant l'enregistrement d'outil, n'appuyez pas sur la gâchette et ne mettez pas l'interrupteur d'alimentation en position de marche sur l'aspirateur.

NOTE : Reportez-vous également au manuel d'instructions de l'aspirateur.

Terminez l'enregistrement d'outil à l'avance, si vous souhaitez que l'aspirateur soit activé lors de l'utilisation de l'interrupteur de l'outil.

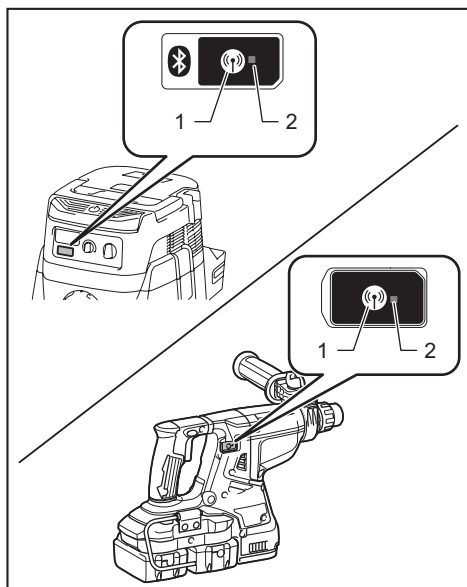
1. Installez les batteries dans l'aspirateur et l'outil.

2. Mettez l'interrupteur d'attente de l'aspirateur sur « AUTO ».



► 1. Interrupteur d'attente

3. Appuyez pendant 3 secondes sur le bouton d'activation sans fil sur l'aspirateur, jusqu'à ce que le témoin d'activation sans fil clignote en vert. Appuyez ensuite de la même manière sur le bouton d'activation sans fil sur l'outil.



► 1. Bouton d'activation sans fil 2. Témoin d'activation sans fil

Si la liaison s'établit entre l'aspirateur et l'outil, les témoins d'activation sans fil s'allumeront en vert pendant 2 secondes puis se mettront à clignoter en bleu.

NOTE : Les témoins d'activation sans fil cessent de clignoter en vert au bout de 20 secondes. Appuyez sur le bouton d'activation sans fil sur l'outil pendant que le témoin d'activation sans fil clignote sur l'aspirateur. Si le témoin d'activation sans fil ne clignote pas en vert, appuyez un court instant sur le bouton d'activation sans fil et maintenez-le enfoncé encore une fois.

NOTE : Lorsque vous effectuez deux enregistrements d'outil ou plus pour un aspirateur, achevez les enregistrements d'outil un à la fois.

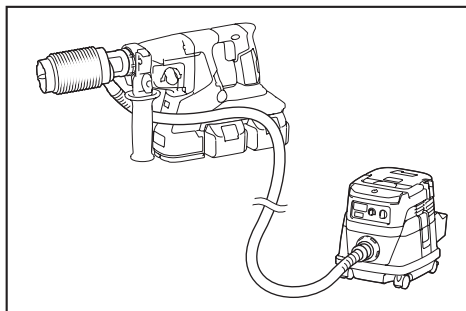
Démarrer la fonction d'activation sans fil

NOTE : Terminez l'enregistrement d'outil pour l'aspirateur avant d'effectuer l'activation sans fil.

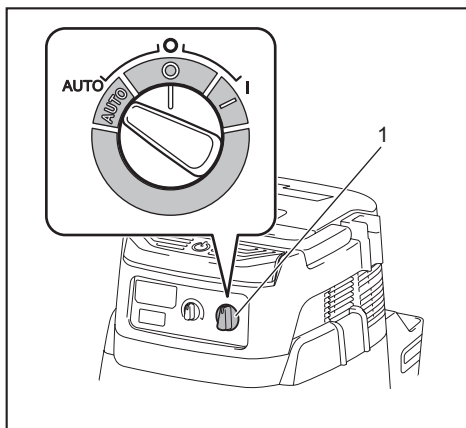
NOTE : Reportez-vous également au manuel d'instructions de l'aspirateur.

Après l'enregistrement d'un outil sur l'aspirateur, ce dernier s'activera automatiquement lors de l'utilisation de l'interrupteur de l'outil.

1. Installez l'unité sans fil sur l'outil.
2. Raccordez le tuyau de l'aspirateur à l'outil.

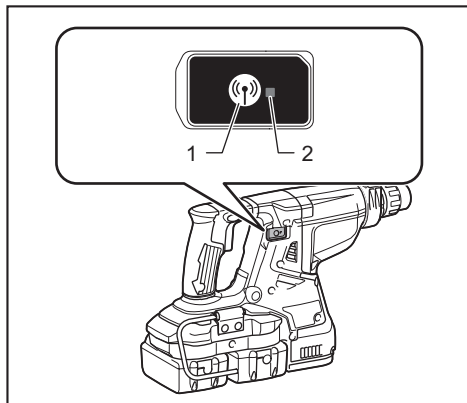


3. Mettez l'interrupteur d'attente de l'aspirateur sur « AUTO ».



1. Interrupteur d'attente

4. Appuyez un court instant sur le bouton d'activation sans fil sur l'outil. Le témoin d'activation sans fil clignotera en bleu.



1. Bouton d'activation sans fil 2. Témoin d'activation sans fil

5. Appuyez sur la gâchette de l'outil. Vérifiez si l'aspirateur fonctionne pendant que vous appuyez sur la gâchette.

Pour arrêter l'activation sans fil de l'aspirateur, appuyez sur le bouton d'activation sans fil sur l'outil.

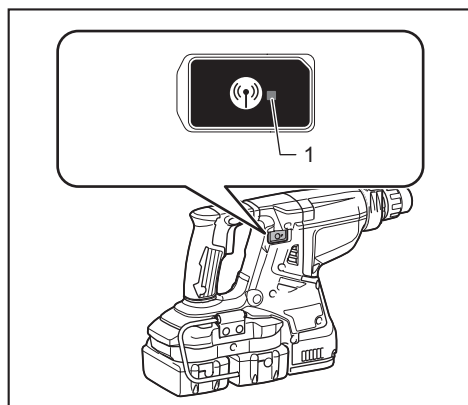
NOTE : Le témoin d'activation sans fil cessera de clignoter en bleu sur l'outil après 2 heures de non-utilisation. Dans ce cas, mettez l'interrupteur d'attente de l'aspirateur sur « AUTO », et appuyez encore une fois sur le bouton d'activation sans fil sur l'outil.

NOTE : L'aspirateur démarre ou s'arrête avec un retard. Il y a un certain délai lorsque l'aspirateur détecte une utilisation de l'interrupteur de l'outil.

NOTE : La distance de transmission de l'unité sans fil peut varier suivant le lieu et les conditions environnantes.

NOTE : Lorsque deux outils ou plus sont enregistrés sur un aspirateur, celui-ci peut démarrer même si vous n'appuyez pas sur la gâchette, si un autre utilisateur utilise la fonction d'activation sans fil.

Description de l'état du témoin d'activation sans fil



► 1. Témoin d'activation sans fil

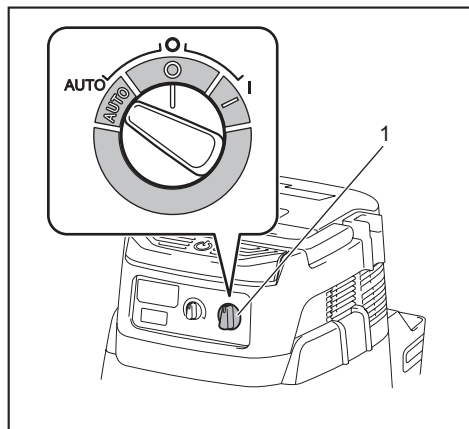
Le témoin d'activation sans fil indique l'état de la fonction d'activation sans fil. Reportez-vous au tableau suivant pour connaître la signification de l'état du témoin.

État	Témoin d'activation sans fil				Description
	Couleur	<input type="checkbox"/> Allumé	<input type="checkbox"/> Clignotant	Durée	
Attente	Bleu	<input checked="" type="checkbox"/>		2 heures	L'activation sans fil de l'aspirateur est disponible. Le témoin s'éteindra automatiquement après 2 heures de non-utilisation.
		<input type="checkbox"/>		Lorsque l'outil est en marche.	L'activation sans fil de l'aspirateur est disponible et l'outil est en marche.
Enregistrement d'outil	Vert	<input checked="" type="checkbox"/>		20 secondes	Prêt pour l'enregistrement d'outil. Attente de l'enregistrement par l'aspirateur.
		<input type="checkbox"/>		2 secondes	L'enregistrement d'outil est terminé. Le témoin d'activation sans fil se mettra à clignoter en bleu.
Annuler l'enregistrement d'outil	Rouge	<input checked="" type="checkbox"/>		20 secondes	Prêt pour l'annulation de l'enregistrement d'outil. Attente de l'annulation par l'aspirateur.
		<input type="checkbox"/>		2 secondes	L'annulation de l'enregistrement d'outil est terminée. Le témoin d'activation sans fil se mettra à clignoter en bleu.
Autres	Rouge	<input type="checkbox"/>		3 secondes	L'alimentation est fournie à l'unité sans fil et la fonction d'activation sans fil démarre.
	Éteint	-		-	L'activation sans fil de l'aspirateur s'arrête.

Annuler l'enregistrement d'outil pour l'aspirateur

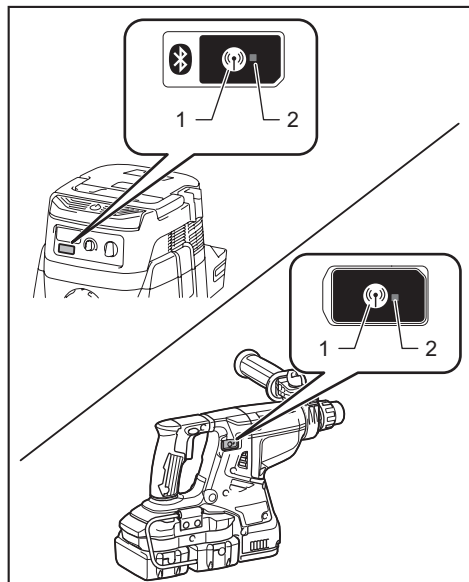
Procédez comme suit pour annuler l'enregistrement d'outil pour l'aspirateur.

1. Installez les batteries dans l'aspirateur et l'outil.
2. Mettez l'interrupteur d'attente de l'aspirateur sur « AUTO ».



- 1. Interrupteur d'attente

3. Appuyez sur le bouton d'activation sans fil sur l'aspirateur pendant 6 secondes. Le témoin d'activation sans fil clignote en vert puis devient rouge. Après cela, appuyez de la même manière sur le bouton d'activation sans fil sur l'outil.



- 1. Bouton d'activation sans fil 2. Témoin d'activation sans fil

Si l'annulation réussit, les témoins d'activation sans fil s'allument en rouge pendant 2 secondes puis se mettent à clignoter en bleu.

NOTE : Les témoins d'activation sans fil cessent de clignoter en rouge au bout de 20 secondes. Appuyez sur le bouton d'activation sans fil sur l'outil pendant que le témoin d'activation sans fil clignote sur l'aspirateur. Si le témoin d'activation sans fil ne clignote pas en rouge, appuyez un court instant sur le bouton d'activation sans fil et maintenez-le enfoncé encore une fois.

Dépannage de la fonction d'activation sans fil

Avant de faire une demande de réparation, faites d'abord votre propre inspection. Si vous rencontrez un problème non indiqué dans ce manuel, n'essayez pas de démonter l'outil. Demandez plutôt à un centre de service après-vente Makita agréé de faire la réparation avec des pièces de rechange Makita.

État anormal	Cause probable (dysfonctionnement)	Solution
Le témoin d'activation sans fil ne s'allume pas ou ne clignote pas.	L'unité sans fil n'est pas installée dans l'outil. L'unité sans fil n'est pas bien installée dans l'outil.	Installez l'unité sans fil correctement.
	La borne de l'unité sans fil et/ou la fente est sale.	Essayez doucement les poussières et saletés sur la borne de l'unité sans fil, et nettoyez la fente.
	Vous n'avez pas appuyé sur le bouton d'activation sans fil sur l'outil.	Appuyez un court instant sur le bouton d'activation sans fil sur l'outil.
	L'interrupteur d'attente de l'aspirateur n'est pas sur « AUTO ».	Mettez l'interrupteur d'attente de l'aspirateur sur « AUTO ».
	Pas d'alimentation	Fournissez une source d'alimentation à l'outil et à l'aspirateur.
L'enregistrement d'outil ou l'annulation de l'enregistrement d'outil échoue.	L'unité sans fil n'est pas installée dans l'outil. L'unité sans fil n'est pas bien installée dans l'outil.	Installez l'unité sans fil correctement.
	La borne de l'unité sans fil et/ou la fente est sale.	Essayez doucement les poussières et saletés sur la borne de l'unité sans fil, et nettoyez la fente.
	L'interrupteur d'attente de l'aspirateur n'est pas sur « AUTO ».	Mettez l'interrupteur d'attente de l'aspirateur sur « AUTO ».
	Pas d'alimentation	Fournissez une source d'alimentation à l'outil et à l'aspirateur.
	Utilisation incorrecte	Appuyez un court instant sur le bouton d'activation sans fil et reprenez la procédure d'enregistrement/annulation d'outil.
	L'outil et l'aspirateur sont trop éloignés l'un de l'autre (hors de portée de transmission).	Rapprochez l'outil et l'aspirateur l'un de l'autre. La distance maximale de transmission est d'environ 10 m, mais elle peut varier selon les circonstances.
	Avant de terminer l'enregistrement ou l'annulation de l'outil : - la gâchette est enfoncée sur l'outil ou; - le bouton d'alimentation de l'aspirateur est en position de marche.	Appuyez un court instant sur le bouton d'activation sans fil et reprenez la procédure d'enregistrement/annulation d'outil.
	Les procédures d'enregistrement d'outil n'ont pas été achevées pour l'outil ou pour l'aspirateur.	Effectuez l'enregistrement d'outil pour l'outil et pour l'aspirateur au même moment.
	Perturbation radioélectrique par d'autres appareils qui génèrent des ondes radio de forte intensité.	Gardez l'outil et l'aspirateur à l'écart des appareils tels que dispositifs Wi-Fi et fours à micro-ondes.
L'aspirateur n'est pas activé par l'utilisation de l'interrupteur de l'outil.	L'unité sans fil n'est pas installée dans l'outil. L'unité sans fil n'est pas bien installée dans l'outil.	Installez l'unité sans fil correctement.
	La borne de l'unité sans fil et/ou la fente est sale.	Essayez doucement les poussières et saletés sur la borne de l'unité sans fil, et nettoyez la fente.
	Vous n'avez pas appuyé sur le bouton d'activation sans fil sur l'outil.	Appuyez un court instant sur le bouton d'activation sans fil et assurez-vous que le témoin d'activation sans fil clignote en bleu.
	L'interrupteur d'attente de l'aspirateur n'est pas sur « AUTO ».	Mettez l'interrupteur d'attente de l'aspirateur sur « AUTO ».
	Plus de 10 outils sont enregistrés sur l'aspirateur.	Reprenez l'enregistrement d'outil. Si plus de 10 outils sont enregistrés sur l'aspirateur, l'outil enregistré le plus tôt sera automatiquement annulé.
	L'aspirateur a effacé tous les enregistrements d'outil.	Reprenez l'enregistrement d'outil.
	Pas d'alimentation	Fournissez une source d'alimentation à l'outil et à l'aspirateur.
	L'outil et l'aspirateur sont trop éloignés l'un de l'autre (hors de portée de transmission).	Rapprochez l'outil et l'aspirateur l'un de l'autre. La distance maximale de transmission est d'environ 10 m, mais elle peut varier selon les circonstances.
	Perturbation radioélectrique par d'autres appareils qui génèrent des ondes radio de forte intensité.	Gardez l'outil et l'aspirateur à l'écart des appareils tels que dispositifs Wi-Fi et fours à micro-ondes.
L'aspirateur se met en marche alors que la gâchette de l'outil n'est pas enfoncée.	D'autres utilisateurs utilisent l'activation sans fil de l'aspirateur avec leurs outils.	Mettez le bouton d'activation sans fil en position d'arrêt sur les autres outils, ou annulez l'enregistrement d'outil des autres outils.

ENTRETIEN

ATTENTION : Assurez-vous toujours que l'outil est hors tension et que la batterie est retirée avant d'y effectuer tout travail d'inspection ou d'entretien.

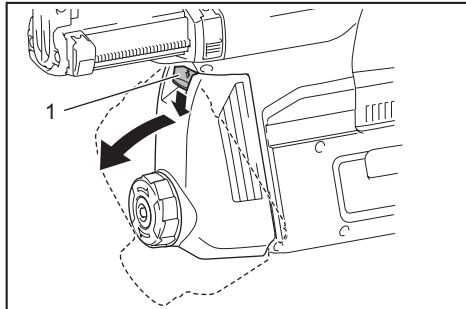
AVIS : N'utilisez jamais d'essence, de benzine, de solvant, d'alcool ou autres produits similaires. Une décoloration, une déformation ou la formation de fissures peuvent en découler.

Pour maintenir la SÉCURITÉ et la FIABILITÉ du produit, les réparations et tout autre travail d'entretien ou de réglage doivent être effectués dans un centre de service après-vente autorisé ou une usine Makita, exclusivement avec des pièces de rechange Makita.

Remplacement du filtre du compartiment à poussières

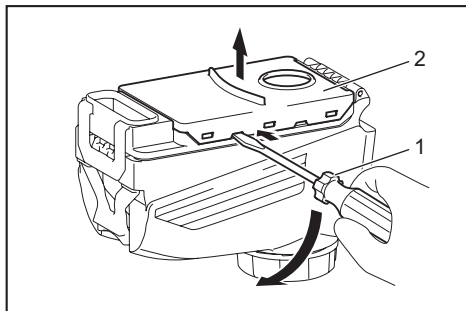
Accessoire en option

1. Retirez le compartiment à poussières tout en abaissant le levier du compartiment à poussières.



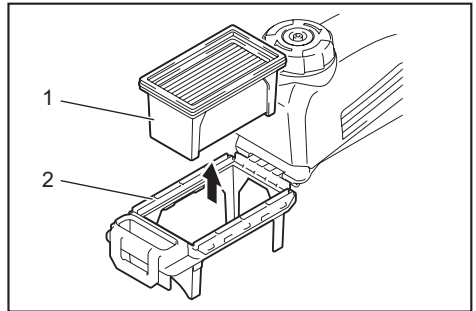
- 1. Levier

2. Insérez un tournevis à lame plate dans les fentes du couvercle de filtre pour le retirer.



- 1. Tournevis à lame plate 2. Couvercle de filtre

3. Retirez le filtre du boîtier de filtre.



- 1. Filtre 2. Boîtier de filtre

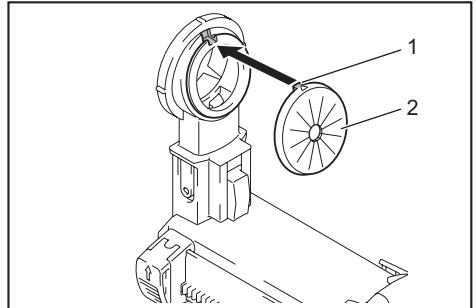
4. Fixez un nouveau filtre au boîtier de filtre, puis fixez le couvercle de filtre.
5. Fermez le couvercle du compartiment à poussières, puis fixez ce dernier au dispositif de collecte des poussières.

Remplacement du capuchon d'étanchéité

Accessoire en option

Si le capuchon d'étanchéité est usé, la collecte des poussières sera moins efficace. Remplacez-le s'il est usé.

Retirez le capuchon d'étanchéité, puis fixez-en un neuf en plaçant sa partie saillante vers le haut.



- 1. Partie saillante 2. Capuchon d'étanchéité

ACCESSOIRES EN OPTION

⚠ ATTENTION : Ces accessoires ou pièces complémentaires sont recommandés pour l'utilisation avec l'outil Makita spécifié dans ce manuel. L'utilisation de tout autre accessoire ou pièce complémentaire peut comporter un risque de blessure. N'utilisez les accessoires ou pièces complémentaires qu'aux fins auxquelles ils ont été conçus.

Si vous désirez obtenir plus de détails sur ces accessoires, veuillez contacter le centre de service après-vente Makita le plus près.

- Embouts-mèches à pointe de carbure (embouts à pointe de carbure SDS-plus)
- Trépan
- Pic
- Trépan diamanté
- Ciseau à froid
- Ciseau à écailler
- Burin à rainures
- Adaptateur de mandrin
- Mandrin de perceuse sans clé
- Graisse pour embout
- Jauge de profondeur
- Poire soufflante
- Collecteur de poussières
- Ensemble de collecteur de poussières
- Dispositif de collecte des poussières
- Unité sans fil
- Chargeur et batterie authentiques Makita
- Lunettes de sécurité
- Mallette de transport en plastique

NOTE : Certains éléments de la liste peuvent être inclus avec l'outil comme accessoires standards. Ils peuvent varier suivant les pays.

GARANTIE LIMITÉE MAKITA

Pour les conditions de garantie en vigueur qui s'appliquent à ce produit, veuillez vous reporter à la feuille de garantie en annexe. Si la feuille de garantie en annexe n'est pas disponible, reportez-vous aux détails de la garantie présentés sur le site Web de votre pays, ci-dessous.

États-Unis d'Amérique: www.makitatools.com

Canada: www.makita.ca

Autres pays: www.makita.com

ESPECIFICACIONES

Modelo:		DHR280	DHR281	DHR282	DHR283
Capacidades	Concreto	28 mm (1-1/8")			
	Punta de corona	54 mm (2-1/8")			
	Punta de corona de diamante (tipo seco)	65 mm (2-9/16")			
	Acero	13 mm (1/2")			
	Madera	32 mm (1-1/4")			
Velocidad sin carga		0 r/min - 980 r/min			
Golpes por minuto		0 gpm - 5 000 gpm			
Longitud total		373 mm (14-3/4")	404 mm (15-7/8")	373 mm (14-3/4")	404 mm (15-7/8")
Tensión nominal		36 V c.c.			
Peso neto		3,9 kg - 5,1 kg (8,6 lbs - 11,2 lbs)			

Accesorio opcional

Modelo:	DX08 (Para los modelos DHR280/DHR282)	DX09 (Para los modelos DHR281/DHR283)
Desempeño de succión	350 l/min	
Carrera de operación	Hasta 190 mm (7-1/2")	
Broca apropiada	Hasta 260 mm (10-1/4")	
Tensión nominal	18 V c.c.	
Peso neto	1,6 kg (3,5 lbs)	

- Debido a nuestro continuo programa de investigación y desarrollo, las especificaciones aquí incluidas están sujetas a cambio sin previo aviso.
- Las especificaciones y el cartucho de batería pueden variar de país a país.
- El peso puede variar en función de los accesorios, incluido el cartucho de batería. En la tabla se muestra la combinación de peso más ligero y más pesado conforme al procedimiento 01/2014 de EPTA.

Cartucho de batería aplicable

BL1815N / BL1820B / BL1830 / BL1830B / BL1840B / BL1850B / BL1860B

- Algunos de los cartuchos de batería enumerados arriba podrían no estar disponibles dependiendo de su área de residencia.

⚠ ADVERTENCIA: Use únicamente los cartuchos de batería indicados arriba. El uso de cualquier otro cartucho de batería podría ocasionar una lesión y/o un incendio.

ADVERTENCIAS DE SEGURIDAD

Advertencias generales de seguridad para herramientas eléctricas

⚠ ADVERTENCIA: Lea todas las advertencias de seguridad, instrucciones, ilustraciones y especificaciones suministradas con esta herramienta eléctrica. El no seguir todas las instrucciones indicadas a continuación podría ocasionar una descarga eléctrica, incendio y/o lesiones graves.

Conserve todas las advertencias e instrucciones como referencia en el futuro.

En las advertencias, el término "herramienta eléctrica" se refiere a su herramienta eléctrica de funcionamiento con conexión a la red eléctrica (con cableado eléctrico) o herramienta eléctrica de funcionamiento a batería (inalámbrica).

Seguridad en el área de trabajo

1. **Mantenga el área de trabajo limpia y bien iluminada.** Las áreas oscuras o desordenadas son propensas a accidentes.
2. **No utilice las herramientas eléctricas en atmósferas explosivas, tal como en la presencia de líquidos, gases o polvo inflamables.** Las herramientas eléctricas crean chispas que pueden prender fuego al polvo o los humos.

3. **Mantenga a los niños y curiosos alejados mientras utiliza una herramienta eléctrica.** Las distracciones le pueden hacer perder el control.

Seguridad eléctrica

1. **Las clavijas de conexión de las herramientas eléctricas deberán encajar perfectamente en la toma de corriente. No modifique nunca la clavija de conexión de ninguna forma. No utilice ninguna clavija adaptadora con herramientas eléctricas que tengan conexión a tierra (puesta a tierra).** La utilización de clavijas no modificadas y que encajen perfectamente en la toma de corriente reducirá el riesgo de que se produzca una descarga eléctrica.
2. **Evite tocar con el cuerpo superficies conectadas a tierra o puestas a tierra tales como tubos, radiadores, cocinas y refrigeradores.** Si su cuerpo es puesto a tierra o conectado a tierra existirá un mayor riesgo de que sufra una descarga eléctrica.
3. **No exponga las herramientas eléctricas a la lluvia ni a condiciones húmedas.** La entrada de agua en una herramienta eléctrica aumentará el riesgo de que se produzca una descarga eléctrica.
4. **No maltrate el cable. Nunca utilice el cable para transportar, jalar o desconectar la herramienta eléctrica. Mantenga el cable alejado del calor, aceite, objetos cortantes o piezas móviles.** Los cables dañados o enredados aumentan el riesgo de sufrir una descarga eléctrica.
5. **Cuando utilice una herramienta eléctrica en exteriores, utilice un cable de extensión apropiado para uso en exteriores.** La utilización de un cable apropiado para uso en exteriores reducirá el riesgo de que se produzca una descarga eléctrica.
6. **Si no es posible evitar usar una herramienta eléctrica en condiciones húmedas, utilice un alimentador protegido con interruptor de circuito de falla a tierra (ICFT).** El uso de un ICFT reduce el riesgo de descarga eléctrica.
7. **Las herramientas eléctricas pueden producir campos electromagnéticos (CEM) que no son dañinos para el usuario.** Sin embargo, si los usuarios tienen marcapasos y otros dispositivos médicos similares, deberán consultar al fabricante de su dispositivo y/o a su médico antes de operar esta herramienta eléctrica.

Seguridad personal

1. **Manténgase alerta, preste atención a lo que está haciendo y utilice su sentido común cuando opere una herramienta eléctrica. No utilice una herramienta eléctrica cuando esté cansado o bajo la influencia de drogas, alcohol o medicamentos.** Un momento de distracción mientras opera las herramientas eléctricas puede terminar en una lesión grave.
2. **Use equipo de protección personal. Póngase siempre protección para los ojos.** El equipo protector tal como máscara contra el polvo, zapatos de seguridad antiderrapantes, casco rígido y protección para oídos utilizado en las condiciones apropiadas reducirá el riesgo de lesiones.

3. **Impida el encendido accidental. Asegúrese de que el interruptor esté en la posición de apagado antes de conectar a la alimentación eléctrica y/o de colocar el cartucho de batería, así como al levantar o cargar la herramienta.** Cargar las herramientas eléctricas con su dedo en el interruptor o enchufarlas con el interruptor encendido hace que los accidentes sean comunes.
4. **Retire cualquier llave de ajuste o llave de apriete antes de encender la herramienta.** Una llave de ajuste o llave de apriete que haya sido dejada puesta en una parte giratoria de la herramienta eléctrica puede ocasionar alguna lesión.
5. **No utilice la herramienta donde no alcance. Mantenga los pies sobre suelo firme y el equilibrio en todo momento.** Esto permite un mejor control de la herramienta eléctrica en situaciones inesperadas.
6. **Use una vestimenta apropiada. No use ropa suelta ni alhajas. Mantenga el cabello, la ropa y los guantes alejados de las piezas móviles.** Las prendas de vestir holgadas, las alhajas y el cabello largo suelto podrían engancharse en estas piezas móviles.
7. **Si dispone de dispositivos para la conexión de equipos de extracción y recolección de polvo, asegúrese de conectarlos y utilizarlos debidamente.** Hacer uso de la recolección de polvo puede reducir los riesgos relacionados con el polvo.
8. **No permita que la familiaridad adquirida debido al uso frecuente de las herramientas haga que se sienta confiado e ignore los principios de seguridad de las herramientas.** Un descuido podría ocasionar una lesión grave en una fracción de segundo.
9. **Utilice siempre gafas protectoras para proteger sus ojos de lesiones al usar herramientas eléctricas. Las gafas deben cumplir con la Norma ANSI Z87.1 en EUA. Es responsabilidad del empleador imponer el uso de equipos protectores de seguridad apropiados a los operadores de la herramienta y demás personas cerca del área de trabajo.**

Mantenimiento y uso de la herramienta eléctrica

1. **No fuerce la herramienta eléctrica. Utilice la herramienta eléctrica correcta para su aplicación.** La herramienta eléctrica adecuada hará un mejor trabajo y de forma más segura a la velocidad para la que ha sido fabricada.
2. **No utilice la herramienta eléctrica si el interruptor no la enciende y apaga.** Cualquier herramienta eléctrica que no pueda ser controlada con el interruptor es peligrosa y debe ser reemplazada.
3. **Desconecte la clavija de la fuente de alimentación y/o retire la batería de la herramienta eléctrica, en caso de ser removible, antes de realizar ajustes, cambiar accesorios o almacenar las herramientas eléctricas.** Tales medidas de seguridad preventivas reducirán el riesgo de poner en marcha la herramienta eléctrica de forma accidental.

4. **Guarde la herramienta eléctrica que no use fuera del alcance de los niños y no permita que las personas que no están familiarizadas con ella o con las instrucciones la operen.** Las herramientas eléctricas son peligrosas en manos de personas que no saben operarlas.
5. **Dé mantenimiento a las herramientas eléctricas y los accesorios. Compruebe que no haya piezas móviles desalineadas o estancadas, piezas rotas y cualquier otra condición que pueda afectar al funcionamiento de la herramienta eléctrica. Si la herramienta eléctrica está dañada, haga que la reparen antes de utilizarla.** Muchos de los accidentes son ocasionados por no dar un mantenimiento adecuado a las herramientas eléctricas.
6. **Mantenga las herramientas de corte limpias y filosas.** Si recibe un mantenimiento adecuado y tiene los bordes afilados, es probable que la herramienta se atasque menos y sea más fácil controlarla.
7. **Utilice la herramienta eléctrica, los accesorios y las brocas de acuerdo con estas instrucciones, considerando las condiciones laborales y el trabajo a realizar.** Si utiliza la herramienta eléctrica para realizar operaciones distintas de las indicadas, podrá presentarse una situación peligrosa.
8. **Mantenga los mangos y superficies de asimiento secos, limpios y libres de aceite o grasa.** Los mangos y superficies de asimiento resbalosos no permiten una manipulación segura ni el control de la herramienta en situaciones inesperadas.
9. **Cuando vaya a utilizar esta herramienta, evite usar guantes de trabajo de tela ya que éstos podrían atorarse.** Si los guantes de trabajo de tela llegaran a atorarse en las piezas móviles, esto podría ocasionar lesiones personales.

Uso y cuidado de la herramienta a batería

1. **Recargue sólo con el cargador especificado por el fabricante.** Un cargador que es adecuado para un solo tipo de batería puede generar riesgo de incendio al ser utilizado con otra batería.
 2. **Utilice las herramientas eléctricas solamente con las baterías designadas específicamente para ellas.** La utilización de cualquier otra batería puede crear un riesgo de lesiones o incendio.
 3. **Cuando no se esté usando la batería, manténgala alejada de otros objetos metálicos, como sujetapapeles (clips), monedas, llaves, clavos, tornillos u otros objetos pequeños de metal los cuales pueden actuar creando una conexión entre las terminales de la batería.** Originar un cortocircuito en las terminales puede causar quemaduras o incendios.
 4. **En condiciones abusivas, podrá escapar líquido de la batería; evite tocarlo. Si lo toca accidentalmente, enjuague con agua. Si hay contacto del líquido con los ojos, busque asistencia médica.** Puede que el líquido expulsado de la batería cause irritación o quemaduras.
5. **No utilice una herramienta ni una batería que estén dañadas o hayan sido modificadas.** Las baterías dañadas o modificadas podrían ocasionar una situación inesperada provocando un incendio, explosión o riesgo de lesiones.
 6. **No exponga la herramienta ni la batería al fuego ni a una temperatura excesiva.** La exposición al fuego o a una temperatura superior a los 130 °C podría causar una explosión.
 7. **Siga todas las instrucciones para la carga y evite cargar la herramienta o la batería fuera del rango de temperatura especificado en las instrucciones.** Una carga inadecuada o a una temperatura fuera del rango especificado podría dañar la batería e incrementar el riesgo de incendio.

Servicio

1. **Haga que una persona calificada repare la herramienta eléctrica utilizando sólo piezas de repuesto idénticas.** Esto asegura que se mantenga la seguridad de la herramienta eléctrica.
2. **Nunca dé servicio a baterías que estén dañadas.** El servicio a las baterías solamente deberá ser efectuado por el fabricante o un agente de servicio autorizado.
3. **Siga las instrucciones para la lubricación y cambio de accesorios.**
4. **No modifique ni intente reparar el aparato ni el paquete de baterías salvo como se indique en las instrucciones para el uso y cuidado.**

ADVERTENCIAS DE SEGURIDAD PARA EL MARTILLO ROTATIVO INALÁMBRICO

1. **Utilice protectores de oídos.** La exposición al ruido puede provocar pérdida auditiva.
2. **Utilice los mango(s) auxiliare(s) que se suministren con la herramienta.** La pérdida de control puede ocasionar lesiones.
3. **Sujete la herramienta eléctrica por las superficies de asimiento aisladas al realizar una operación en la que el accesorio de corte pueda entrar en contacto con cableado oculto.** Si el accesorio de corte entra en contacto con un cable con corriente, las piezas metálicas expuestas de la herramienta eléctrica se cargarán también de corriente y el operador podría recibir una descarga eléctrica.
4. **Utilice un casco protector (casco de seguridad), gafas de seguridad y/o careta de protección.** Los anteojos comunes o de sol NO son gafas de seguridad. También es muy recomendable que utilice una máscara contra polvo y guantes bien acolchados.
5. **Asegúrese de que la punta se encuentre asegurada en su lugar antes de la operación.**
6. **En condiciones normales de operación, la herramienta está diseñada para producir vibración. Los tornillos pueden aflojarse fácilmente y causar una falla o accidente. Verifique cuidadosamente que los tornillos estén apretados antes de la operación.**


7. En clima frío o cuando la herramienta no se haya utilizado durante un tiempo prolongado, permita que la herramienta se caliente un rato haciéndola funcionar sin carga. Esto facilitará la lubricación. Sin un calentamiento apropiado, la operación de percusión resultará difícil.
8. Asegúrese siempre de que pisa sobre suelo firme. Asegúrese de que no haya nadie debajo cuando utilice la herramienta en lugares altos.
9. Sujete la herramienta firmemente con ambas manos.
10. Mantenga las manos alejadas de las piezas móviles.
11. No deje la herramienta funcionando. Tenga en marcha la herramienta solamente cuando la esté sosteniendo con la mano.
12. Durante la operación, no apunte con la herramienta a ninguna persona en el área. La punta podría salir volando y causarle una lesión grave a alguien.
13. No toque la punta, las partes cerca de la punta o la pieza de trabajo inmediatamente después de la operación; éstas podrían estar extremadamente calientes y provocarle quemaduras en la piel.
14. Algunos materiales contienen sustancias químicas que pueden ser tóxicas. Evite inhalar polvo y que éste entre en contacto con la piel. Consulte la hoja de seguridad de materiales del proveedor.
15. Asegúrese siempre de que la herramienta esté apagada y de que el cartucho de batería y la punta hayan sido extraídos antes de pasarle la herramienta a otra persona.

GUARDE ESTAS INSTRUCCIONES.

⚠ ADVERTENCIA: NO DEJE que la comodidad o familiaridad con el producto (a base de utilizarlo repetidamente) evite que siga estrictamente las normas de seguridad para dicho producto. El USO INCORRECTO o el no seguir las normas de seguridad indicadas en este manual de instrucciones puede ocasionar lesiones graves.

Símbolos

A continuación se muestran los símbolos utilizados para la herramienta.

v	volts o voltios
— — —	corriente directa o continua
n _o	velocidad sin carga
... /min r /min	revoluciones o alternaciones por minuto, frecuencia de rotación
	número de percusiones

Instrucciones importantes de seguridad para el cartucho de batería

1. Antes de utilizar el cartucho de batería, lea todas las instrucciones e indicaciones de precaución en el (1) el cargador de batería, (2) la batería, y (3) el producto con el que se utiliza la batería.
2. No desarme el cartucho de batería.
3. Si el tiempo de operación se ha acortado en exceso, deje de operar de inmediato. Podría correrse el riesgo de sobrecalentamiento, posibles quemaduras e incluso explosión.
4. En caso de que ingresen electrolitos en sus ojos, enjuáguelos bien con agua limpia y consulte de inmediato a un médico. Esto podría ocasionar pérdida de visión.
5. Evite cortocircuitar el cartucho de batería:
 - (1) No toque las terminales con ningún material conductor.
 - (2) Evite guardar el cartucho de batería en un cajón junto con otros objetos metálicos, tales como clavos, monedas, etc.
 - (3) No exponga el cartucho de batería al agua o la lluvia.
 Un cortocircuito en la batería puede causar un flujo grande de corriente, sobrecalentamiento, posibles quemaduras e incluso una descompostura.
6. No guarde la herramienta ni el cartucho de batería en lugares donde la temperatura pueda alcanzar o exceder los 50°C (122°F).
7. Nunca incinere el cartucho de batería incluso en el caso de que esté dañado seriamente o ya no sirva en absoluto. El cartucho de batería puede explotar si se tira al fuego.
8. Tenga cuidado de no dejar caer ni golpear la batería.
9. No use una batería dañada.
10. Las baterías de ión de litio están sujetas a los requisitos reglamentarios en materia de bienes peligrosos.

Para el transporte comercial, por ej., mediante terceros o agentes de transporte, se deben tomar en cuenta los requisitos especiales relativos al empaque y el etiquetado.

Para efectuar los preparativos del artículo que se va a enviar, se requiere consultar a un experto en materiales peligrosos. Si es posible, consulte además otras regulaciones nacionales más detalladas.

Pegue o cubra con cinta adhesiva los contactos abiertos y empaque la batería de manera que ésta no pueda moverse dentro del paquete.
11. **Siga las regulaciones locales relacionadas al desecho de las baterías.**
12. **Utilice las baterías únicamente con los productos especificados por Makita.** Instalar las baterías en productos que no cumplan con los requisitos podría ocasionar un incendio, un calentamiento excesivo, una explosión o una fuga de electrolito.

GUARDE ESTAS INSTRUCCIONES.

⚠️ PRECAUCIÓN: Utilice únicamente baterías originales de Makita. El uso de baterías no originales de Makita, o de baterías alteradas, puede ocasionar que las baterías exploten causando un incendio, lesiones personales y daños. Asimismo, esto invalidará la garantía de Makita para la herramienta y el cargador Makita.

Consejos para alargar al máximo la vida útil de la batería

1. Cargue el cartucho de batería antes de que se descargue completamente. Pare siempre la operación y cargue el cartucho de batería cuando note menos potencia en la herramienta.
2. No cargue nunca un cartucho de batería que esté completamente cargado. La sobrecarga acortará la vida de servicio de la batería.
3. Cargue el cartucho de batería a una temperatura ambiente de 10 °C - 40 °C (50 °F - 104 °F). Si un cartucho de batería está caliente, déjelo enfriar antes de cargarlo.
4. Cargue el cartucho de batería si no va a utilizarlo durante un período prolongado (más de seis meses).

Instrucciones importantes de seguridad para la unidad inalámbrica

1. No desarme ni modifique la unidad inalámbrica.
2. Mantenga la unidad inalámbrica alejada de los niños pequeños. En caso de ingerirla accidentalmente, solicite atención médica de inmediato.
3. Utilice la unidad inalámbrica solamente con herramientas de Makita.
4. No exponga la unidad inalámbrica a la lluvia ni a condiciones de humedad.
5. No utilice la unidad inalámbrica en lugares donde la temperatura exceda los 50°C (122°F).
6. No utilice la unidad inalámbrica en lugares donde haya instrumentos médicos tales como marcapasos cerca.
7. No utilice la unidad inalámbrica en lugares donde haya dispositivos automáticos cerca. Si se utiliza, los dispositivos automáticos podrían causar alguna avería o error.
8. No opere la unidad inalámbrica en lugares con alta temperatura o donde pueda generarse electricidad estática o ruido eléctrico.
9. La unidad inalámbrica puede producir campos electromagnéticos (CEM), sin embargo éstos no son dañinos para el usuario.
10. La unidad inalámbrica es un instrumento de precisión. Tenga cuidado de no dejar caer ni golpear la unidad inalámbrica.
11. Evite tocar la terminal de la unidad inalámbrica con las manos descubiertas o con materiales metálicos.

12. Retire siempre la batería del producto al instalar en él la unidad inalámbrica.
13. Cuando abra la tapa de la ranura, evite el lugar donde el polvo y el agua puedan introducirse en la ranura. Mantenga siempre la entrada de la ranura limpia.
14. Inserte siempre la unidad inalámbrica en la dirección correcta.
15. No oprima el botón de activación inalámbrica en la unidad inalámbrica demasiado fuerte, ni lo haga con ningún objeto que tenga un borde filoso.
16. Cierre siempre la tapa de la ranura durante la operación.
17. No retire la unidad inalámbrica de la ranura mientras se esté suministrando energía a la herramienta. El hacerlo podría causar una avería de la unidad inalámbrica.
18. No retire la etiqueta en la unidad inalámbrica.
19. No coloque ninguna etiqueta en la unidad inalámbrica.
20. No deje la unidad inalámbrica en un lugar donde pueda generarse electricidad estática o ruido eléctrico.
21. No deje la unidad inalámbrica en un lugar sujeto a temperaturas altas, tal como un vehículo estacionado bajo el sol.
22. No deje la unidad inalámbrica en un lugar donde haya polvo o suciedad ni en un lugar donde pueda generarse gas corrosivo.
23. Los cambios repentinos de temperatura podrían humedecer la unidad inalámbrica. No utilice la unidad inalámbrica hasta que la condensación se haya secado por completo.
24. Cuando vaya a limpiar la unidad inalámbrica, hágalo cuidadosamente usando un paño suave seco. No utilice bencina, disolvente, grasa conductora o sustancias similares.
25. Cuando vaya a almacenar la unidad inalámbrica, guárdela en el estuche suministrado o en un contenedor libre de electricidad estática.
26. No inserte ningún otro dispositivo que no sea la unidad inalámbrica de Makita en la ranura de la herramienta.
27. No utilice la herramienta si la tapa de la ranura está dañada. La entrada de agua, polvo o suciedad en la ranura podría causar una avería.
28. No jale ni tuerza la tapa de la ranura más de lo necesario. Vuelva a colocar la tapa si ésta se sale de la herramienta.
29. Reemplace la tapa de la ranura si llega a perderse o dañarse.

GUARDE ESTAS INSTRUCCIONES.

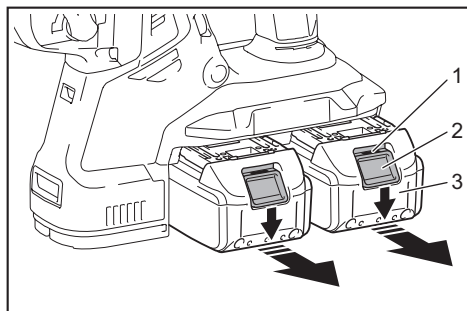
DESCRIPCIÓN DEL FUNCIONAMIENTO

⚠️ PRECAUCIÓN: Asegúrese siempre de que la herramienta esté apagada y el cartucho de batería haya sido extraído antes de realizar cualquier ajuste o comprobación en la herramienta.

Instalación o extracción del cartucho de batería

⚠️ PRECAUCIÓN: Apague siempre la herramienta antes de colocar o quitar el cartucho de batería.

⚠️ PRECAUCIÓN: Sujete la herramienta y el cartucho de la batería con firmeza al colocar o quitar el cartucho de batería. Si no se sujeta con firmeza la herramienta y el cartucho de batería, puede ocasionar que se resbalen de sus manos causando daños a la herramienta y al cartucho de batería, así como lesiones a la persona.



► 1. Indicador rojo 2. Botón 3. Cartucho de batería

Para quitar el cartucho de batería, deslícelo de la herramienta mientras desliza el botón sobre la parte delantera del cartucho.

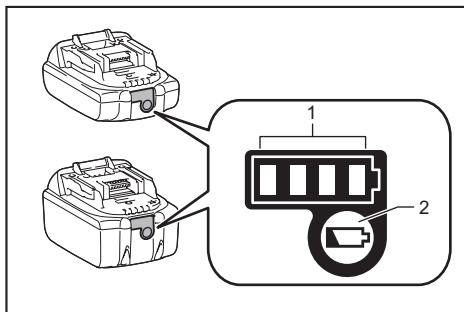
Para colocar el cartucho de batería, alinee la lengüeta sobre el cartucho de batería con la ranura en la carcasa y deslice en su lugar. Inserte por completo hasta que se fije en su lugar con un pequeño clic. Si puede ver el indicador rojo del lado superior del botón, esto indica que no ha quedado fijo por completo.

⚠️ PRECAUCIÓN: Introduzca siempre completamente el cartucho de batería hasta que el indicador rojo no pueda verse. Si no, podría accidentalmente salirse de la herramienta y caer al suelo causando una lesión a usted o alguien a su alrededor.

⚠️ PRECAUCIÓN: No instale el cartucho de batería a la fuerza. Si el cartucho no se desliza al interior fácilmente, se debe a que no está siendo insertado correctamente.

Indicación de la capacidad restante de la batería

Únicamente para cartuchos de batería con el indicador



► 1. Luces indicadoras 2. Botón de verificación

Oprima el botón de verificación en el cartucho de la batería para que indique la capacidad restante de la batería. Las luces indicadoras se iluminarán por algunos segundos.

Luces indicadoras			Capacidad restante
Iluminadas	Apagadas	Parpadeando	
■ ■ ■ ■			75% a 100%
■ ■ ■ □			50% a 75%
■ ■ □ □			25% a 50%
■ □ □ □			0% a 25%
▬ □ □ □			Cargar la batería.
■ ■ □ □			La batería pudo haber funcionado mal.
□ □ ■ ■			

NOTA: Dependiendo de las condiciones de uso y la temperatura ambiente, la indicación podrá diferir ligeramente de la capacidad real.

Sistema de protección para la herramienta/batería

La herramienta está equipada con un sistema de protección de la herramienta/batería. Este sistema corta en forma automática el suministro de energía al motor para prolongar la vida útil de la herramienta y la batería. La herramienta se detendrá automáticamente durante la operación si la herramienta o la batería se someten a una de las siguientes condiciones:

Protección contra sobrecarga

Cuando la batería se esté utilizando de una manera que cause que consuma una cantidad de corriente anormalmente alta, la herramienta se detendrá automáticamente sin indicación alguna. En este caso, apague la herramienta y detenga la aplicación que causó que la herramienta se sobrecargara. Luego encienda la herramienta para reiniciarla.

Protección contra sobrecalentamiento

Cuando la herramienta o la batería se sobrecalienten, la herramienta se detendrá automáticamente. En este caso, permita que la herramienta y la batería se enfríen antes de volver a encender la herramienta.

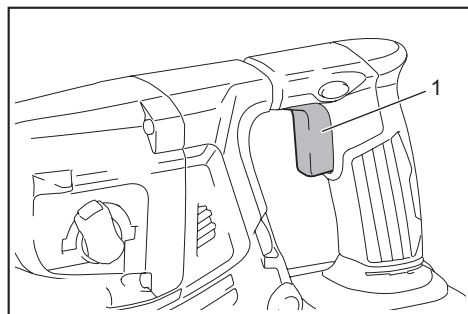
NOTA: Cuando la herramienta se sobrecaliente, la lámpara parpadeará.

Protección en caso de sobredescarga

Cuando la capacidad de la batería no es suficiente, la herramienta se detiene automáticamente. En este caso, retire la batería de la herramienta y cárguela.

Accionamiento del interruptor

⚠ ADVERTENCIA: Antes de insertar el cartucho de batería en la herramienta, compruebe siempre y cerciórese de que el gatillo interruptor se acciona debidamente y que vuelve a la posición "OFF" (apagado) cuando lo suelta.

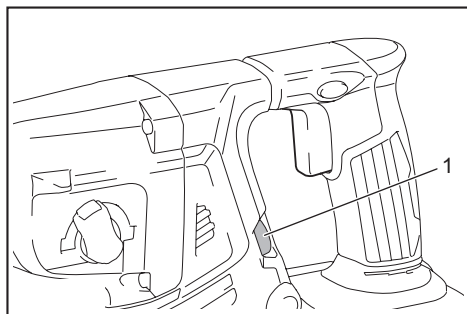


► 1. Gatillo interruptor

Para arrancar la herramienta, simplemente jale el gatillo interruptor. La velocidad de la herramienta aumenta al incrementar la presión en el gatillo interruptor. Para detenerla, suelte el gatillo interruptor.

Cambio de velocidad

Las revoluciones y golpes por minuto se pueden ajustar girando el selector de ajuste. El selector está marcado del 1 (velocidad más baja) al 5 (velocidad más alta).



► 1. Selector de ajuste

Consulte la tabla a continuación para ver la relación entre el número en el selector de ajuste y las revoluciones y golpes por minuto.

Número	Revoluciones por minuto	Golpes por minuto
5	980	5 000
4	810	4 130
3	640	3 260
2	470	2 400
1	300	1 550

⚠ PRECAUCIÓN: No gire el selector de ajuste cuando la herramienta esté funcionando. De lo contrario, podría resultar en la pérdida de control de la herramienta y ocasionar una lesión.

AVISO: Si la herramienta es operada a baja velocidad de forma continua durante un tiempo prolongado, el motor se sobrecargará provocando que la herramienta se averíe.

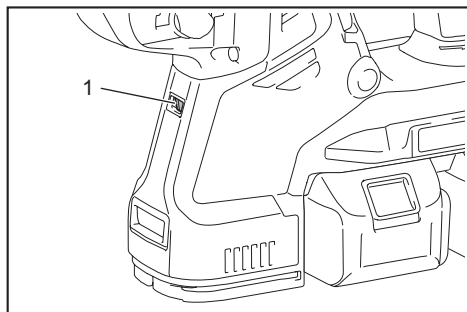
AVISO: El selector de ajuste de velocidad solo puede girarse hasta 5 y de regreso a 1. No lo fuerce más allá de 5 o 1 o la función de ajuste de velocidad podría dejar de funcionar.

NOTA: Función de rotación suave sin carga (para los modelos DHR282/DHR283)

Cuando el selector de ajuste de velocidad está ajustado en "3" o más, la herramienta automáticamente reduce la velocidad a velocidad sin carga a fin de disminuir la vibración en esta modalidad. Cuando la operación comienza con una punta contra concreto, los golpes por minuto se incrementan y alcanzan los números que se muestran en la tabla. Cuando la temperatura es baja y hay menos fluidez de grasa, la herramienta podría no tener esta función aun con el motor girando.

Esta función no estará disponible cuando el sistema de recolección de polvo esté instalado.

Iluminación de la luz delantera



► 1. Luz

PRECAUCIÓN: No mire a la luz ni vea a la fuente de luz directamente.

Jale el gatillo interruptor para encender la luz. La luz continúa iluminándose mientras se está jalando el gatillo interruptor. La luz se apaga aproximadamente 10 segundos tras haber liberado el gatillo interruptor.

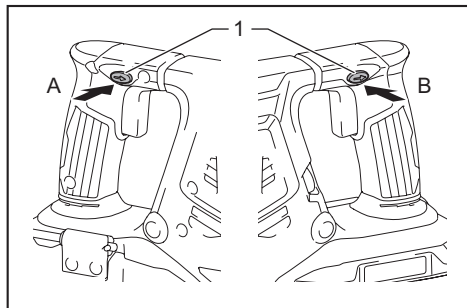
PRECAUCIÓN: Para los modelos DHR282/ DHR283

Si la lámpara se apaga después de parpadear durante algunos segundos, la tecnología de detección de retroalimentación activa o la función de rotación suave sin carga no está funcionando correctamente. Solicite la reparación al centro de servicio Makita de su localidad.

NOTA: Utilice un paño seco para quitar la suciedad de la lente de la lámpara. Tenga cuidado de no rayar la lente de la lámpara ya que la iluminación podría disminuir.

NOTA: Cuando el sistema de recolección de polvo se encuentre instalado en la herramienta, la lámpara del sistema de recolección de polvo se encenderá en vez de la lámpara de la herramienta.

Accionamiento del conmutador de inversión de giro



► 1. Palanca del interruptor de inversión

PRECAUCIÓN: Confirme siempre la dirección de rotación antes de la operación.

PRECAUCIÓN: Utilice el conmutador de inversión solamente después de que la herramienta haya parado completamente. Si cambia la dirección de rotación antes de que la herramienta haya parado podría dañarla.

PRECAUCIÓN: Cuando no esté utilizando la herramienta, ponga siempre la palanca del conmutador de inversión en la posición neutral.

Esta herramienta tiene un conmutador de inversión para cambiar la dirección de rotación. Presione la palanca del conmutador de inversión desde el lado A para una rotación en sentido de las manecillas del reloj o desde el lado B, para una rotación en sentido inverso al de las manecillas del reloj.

Cuando la palanca del conmutador de inversión esté en la posición neutral, no se podrá jalar el gatillo conmutador.



Cambio del portabrocas de cambio rápido para SDS-plus

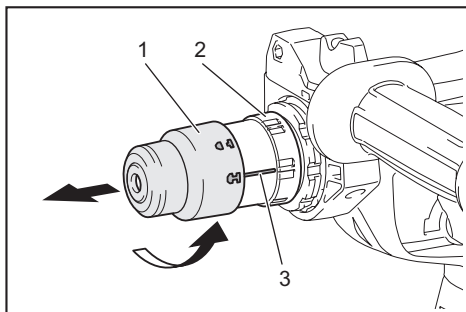
Para los modelos DHR281/DHR283

El portabrocas de cambio rápido para SDS-plus puede intercambiarse fácilmente por el portabrocas adaptador de cambio rápido.

Extracción del portabrocas de cambio rápido para SDS-plus



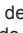
PRECAUCIÓN: Antes de extraer el portabrocas de cambio rápido para SDS-plus, asegúrese de retirar la punta.

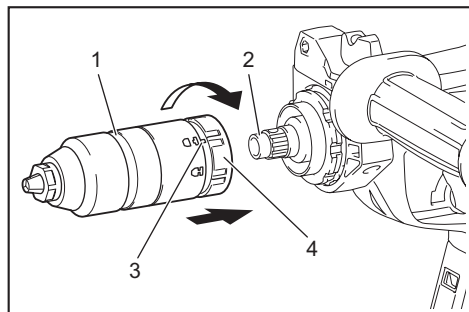
Sujete la cubierta de cambio del portabrocas de cambio rápido para SDS-plus y gírela en la dirección de la flecha hasta que la línea de la cubierta de cambio se desplace del símbolo  al símbolo . Jale con fuerza en la dirección de la flecha.



► 1. Portabrocas de cambio rápido para SDS-plus
2. Cubierta de cambio 3. Línea de la cubierta de cambio

Instalación del portabrocas adaptador de cambio rápido

Verifique que la línea del portabrocas adaptador de cambio rápido muestre el símbolo . Sujete la cubierta de cambio del portabrocas adaptador de cambio rápido y ajuste la línea en el símbolo . Coloque el portabrocas adaptador de cambio rápido en el eje de la herramienta. Sujete la cubierta de cambio del portabrocas adaptador de cambio rápido y gire la línea de la cubierta de cambio al símbolo  hasta que se pueda escuchar claramente un clic.



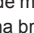
- 1. Portabrocas adaptador de cambio rápido 2. Eje
3. Línea de la cubierta de cambio 4. Cubierta de cambio

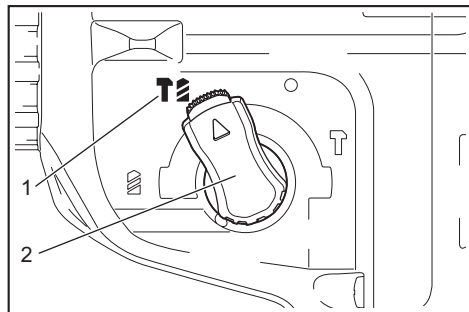
Selección del modo de accionamiento

AVISO: No gire la perilla de cambio de modo de accionamiento cuando la herramienta esté en marcha. Esto podría causar daños a la herramienta.

AVISO: Para evitar un desgaste rápido del mecanismo de cambio de modo, asegúrese siempre de que la perilla de cambio de modo de accionamiento se encuentre realmente ubicada en una de las tres posiciones del modo de accionamiento.


Rotación con percusión

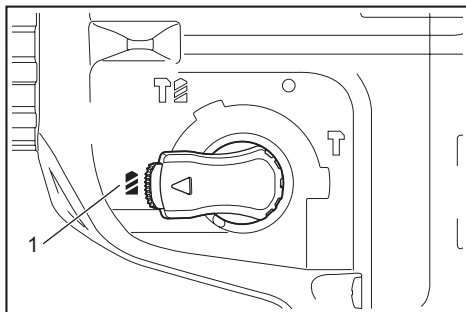
Para taladrar en concreto, mampostería, etc., gire la perilla de cambio de modo de accionamiento al símbolo . Utilice una broca con punta de carburo de tungsteno (accesorio opcional).



- 1. Rotación con percusión 2. Perilla de cambio de modo de accionamiento


Sólo rotación

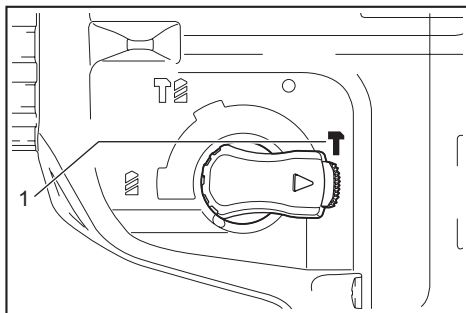
Para taladrar en materiales de madera, metal o plástico, gire la perilla de cambio de modo de accionamiento al símbolo . Utilice una broca helicoidal o broca para madera.



- 1. Sólo rotación

Sólo percusión

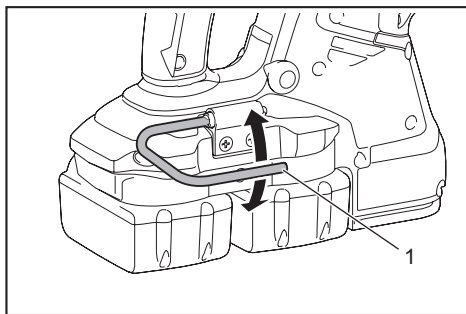
Para operaciones de cincelado, desincrustación o demolición, gire la perilla de cambio de modo de accionamiento al símbolo . Utilice un cincel de punta, cincel plano, cincel de desincrustación, etc.



- 1. Sólo percusión

Gancho

PRECAUCIÓN: Nunca enganche la herramienta en un lugar elevado o en una superficie potencialmente inestable.



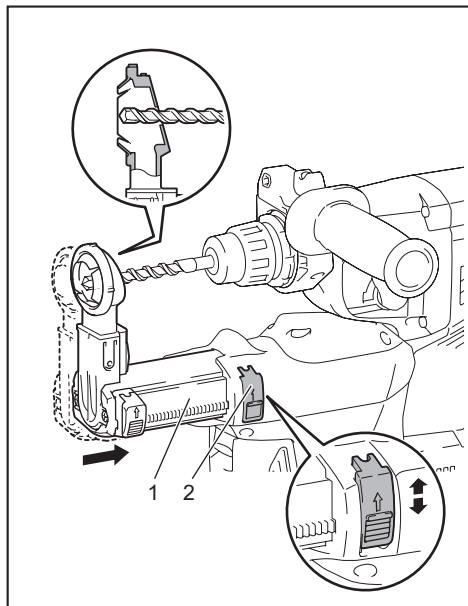
- 1. Gancho

El gancho resulta conveniente para colgar temporalmente la herramienta.
 Cuando vaya a utilizar el gancho, simplemente levántelo hasta que quede trabado en la posición abierta.
 Cuando no lo vaya a utilizar, siempre bájelo hasta que quede trabado en la posición cerrada.

Ajuste de la posición de la boquilla del sistema de recolección de polvo

Accesorio opcional

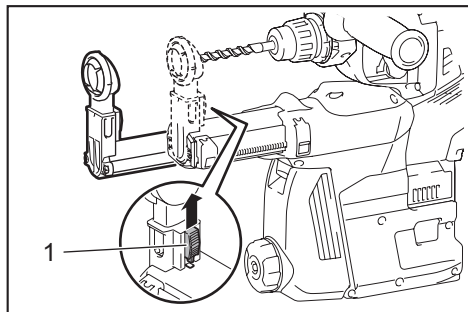
Empuje hacia adentro la guía mientras oprime hacia arriba el botón de ajuste de la guía y luego suelte el botón en la posición deseada.



► 1. Guía 2. Botón de ajuste de la guía

NOTA: Antes de ajustar la posición de la boquilla, libere totalmente la boquilla hacia adelante oprimiendo hacia arriba el botón de ajuste de la guía.

Si va a instalar una broca larga, extienda la guía oprimiendo hacia arriba el botón de extensión.

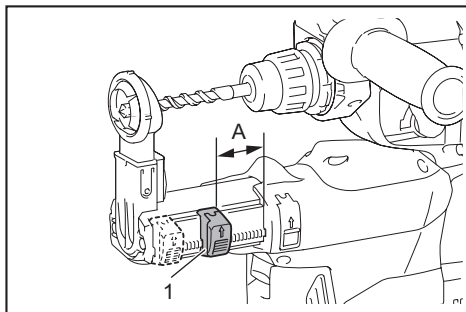


► 1. Botón de extensión

Ajuste de la profundidad de perforación del sistema de recolección de polvo

Accesorio opcional

Deslice el botón de ajuste de profundidad hasta la posición deseada mientras lo oprime hacia arriba. La distancia (A) es la profundidad de perforación.



► 1. Botón de ajuste de profundidad

Limitador de torsión

AVISO: En cuanto el limitador de torsión se accione, apague de inmediato la herramienta. Esto ayudará a evitar el desgaste prematuro de la herramienta.

AVISO: Las brocas tales como las de sierra perforadora, las cuales tienden a atorarse o engancharse fácilmente en el agujero, no son adecuadas para esta herramienta. Esto es debido a que pueden provocar que el limitador de torsión se accione con demasiada frecuencia.

El limitador de torsión se accionará una vez que se alcance un cierto nivel de torsión. El motor se desenganchará del eje de salida. Cuando esto suceda, la broca dejará de girar.

Funcionamiento electrónico

La herramienta está equipada con funciones electrónicas para facilitar la operación.

- Control de velocidad constante
 La función de control de velocidad permite una rotación constante independientemente de las condiciones de carga.
- Tecnología de detección de retroalimentación activa (para los modelos DHR282/DHR283)
 Si la herramienta gira a la aceleración predeterminada durante la operación, el motor será detenido forzosamente para reducir la carga en la muñeca.

NOTA: Esta función no servirá si la aceleración no alcanza la predeterminada al girar la herramienta.

NOTA: Si la punta gira a la aceleración predeterminada durante el cancelado, la desincrustación o la demolición, el motor será detenido forzosamente. En este caso, suelte el gatillo interruptor y luego jálelo para reiniciar la herramienta.

Freno eléctrico

La herramienta está equipada con un freno eléctrico. Si la herramienta falla constantemente en detenerse tras soltar el gatillo interruptor, lleve la herramienta a mantenimiento a un centro de servicio Makita.

MONTAJE

⚠ PRECAUCIÓN: Asegúrese siempre de que la herramienta esté apagada y el cartucho de batería haya sido extraído antes de realizar cualquier trabajo en la misma.

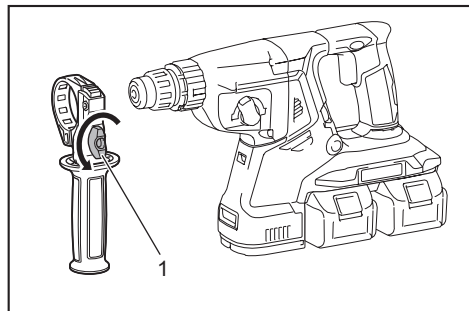
Empuñadura lateral (mango auxiliar)

⚠ PRECAUCIÓN: Utilice siempre la empuñadura lateral para garantizar una operación segura.

⚠ PRECAUCIÓN: Después de instalar o ajustar la empuñadura lateral, asegúrese de que quede firmemente asegurada.

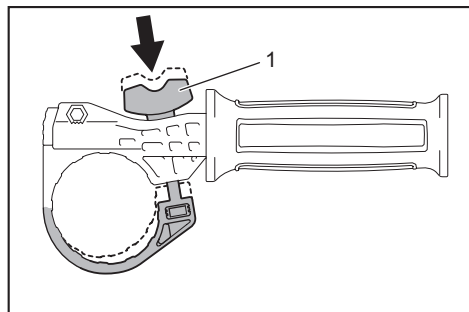
Para instalar la empuñadura lateral, siga los pasos a continuación.

1. Afloje el tornillo de mariposa en la empuñadura lateral.



- 1. Tornillo de mariposa

2. Instale la empuñadura lateral mientras presiona el tornillo de mariposa de modo que las ranuras en la empuñadura encajen en las protuberancias del cilindro de la herramienta.



- 1. Tornillo de mariposa

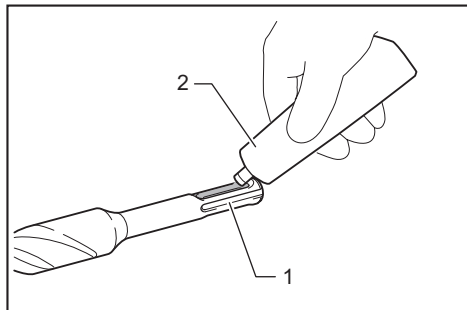
3. Apriete el tornillo de mariposa para asegurar la empuñadura. La empuñadura puede fijarse en el ángulo deseado.

Grasa

Aplique previamente una pequeña cantidad de grasa (alrededor de 0,5 g - 1 g) en el extremo de la espiga de la broca. La lubricación del portabrocas asegura un accionamiento suave y una vida útil más larga.

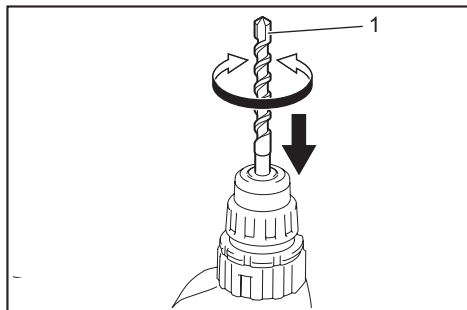
Instalación o extracción de la broca

Limpie el extremo de la espiga de la broca y aplique grasa antes de instalar la broca.



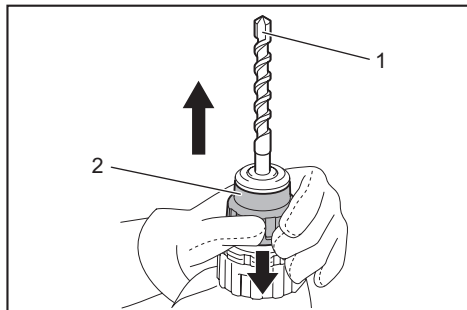
- 1. Extremo de la espiga 2. Grasa

Inserte la broca en la herramienta. Gire la broca y empujela hacia adentro hasta que quede enganchada. Después de instalar la broca, asegúrese siempre de que la broca quede asegurada en su lugar intentando jalarla hacia afuera.



- 1. Broca

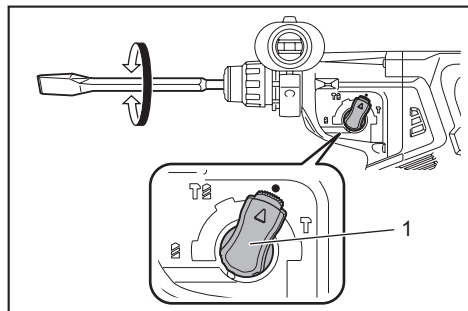
Para extraer la broca, jale hasta abajo la cubierta del portabrocas y jale la broca hacia afuera.



- 1. Broca 2. Cubierta del portabrocas

Ángulo del cincel (durante el cincelado, desincrustación o demolición)

El cincel puede fijarse en el ángulo deseado. Para cambiar el ángulo del cincel, gire la perilla de cambio de modo de accionamiento al símbolo **T**. Luego asegúrese de que el cincel quede asegurado en su lugar girándolo ligeramente.



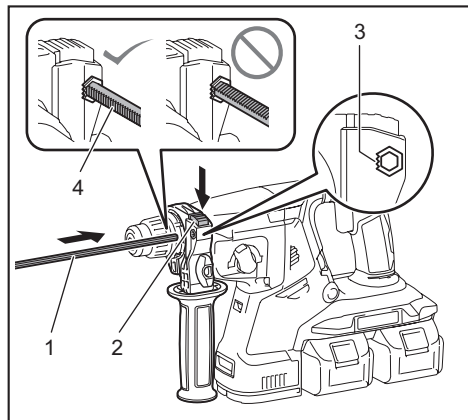
► 1. Perilla de cambio de modo de accionamiento

Gire la perilla de cambio de modo de accionamiento al símbolo **T**. Luego asegúrese de que el cincel quede asegurado en su lugar girándolo ligeramente.

Calibrador de profundidad

El calibrador de profundidad sirve para perforar orificios de profundidad uniforme.

Oprima y mantenga oprimido el botón de bloqueo y luego inserte el calibrador de profundidad en el orificio hexagonal. Asegúrese de que el lado dentado del calibrador de profundidad quede de frente a la marca.



► 1. Calibrador de profundidad 2. Botón de bloqueo 3. Marca 4. Lado dentado

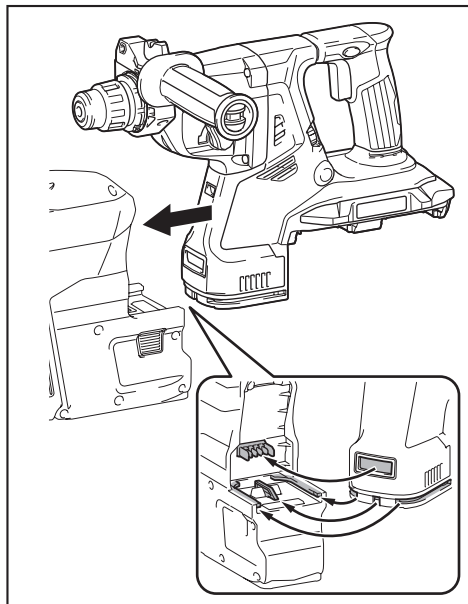
Ajuste el calibrador de profundidad moviéndolo hacia atrás y hacia adelante mientras oprime el botón de bloqueo. Después de ajustarlo, suelte el botón de bloqueo para bloquear el calibrador de profundidad.

NOTA: Asegúrese de que el calibrador de profundidad no toque el cuerpo principal de la herramienta al momento de fijarlo.

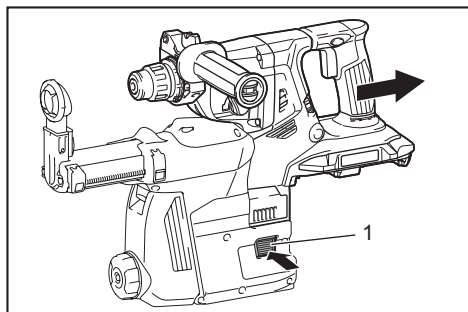
Instalación o extracción del sistema de recolección de polvo

Accesorio opcional

Para instalar el sistema de recolección de polvo, inserte la herramienta en el sistema de recolección de polvo hasta que llegue al fondo y quede asegurado en su lugar con un pequeño doble clic.



Para extraer el sistema de recolección de polvo, jale la herramienta mientras oprime el botón de desbloqueo.



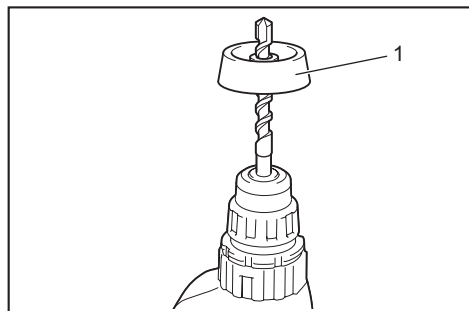
► 1. Botón de desbloqueo

Contenedor de polvo

Accesorio opcional

Utilice el contenedor de polvo para evitar que el polvo caiga sobre la herramienta y sobre usted al realizar operaciones de perforación por encima de su cabeza. Fije el contenedor de polvo en la punta tal como se muestra en la ilustración. El tamaño de las puntas en las que el contenedor de polvo puede fijarse es el que se indica a continuación.

Modelo	Diámetro de la punta
Contenedor de polvo 5	6 mm (1/4") - 14,5 mm (9/16")
Contenedor de polvo 9	12 mm (15/32") - 16 mm (5/8")

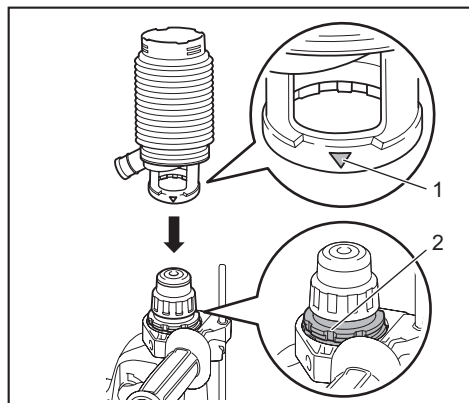


► 1. Contenedor de polvo

Juego contenedor de polvo

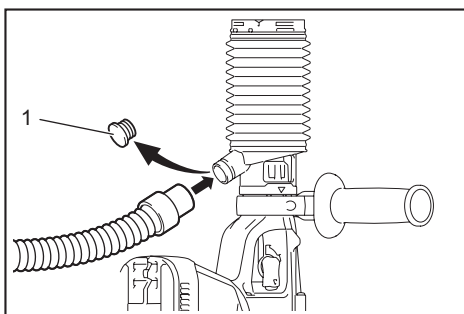
Accesorio opcional

Antes de instalar el juego contenedor de polvo, extraiga la punta de la herramienta en caso de estar instalada. Instale el juego contenedor de polvo en la herramienta de manera que el símbolo Δ en el contenedor de polvo quede alineado con la ranura en la herramienta.



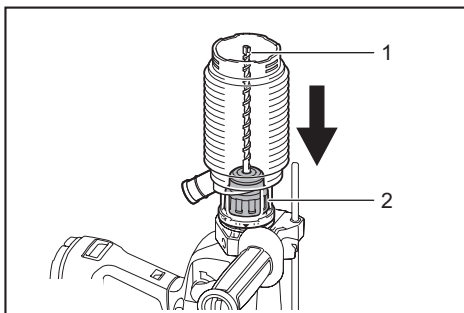
► 1. Δ símbolo 2. Ranura

NOTA: Si conecta una aspiradora al juego contenedor de polvo, retire la tapa guardapolvos antes de conectarla.



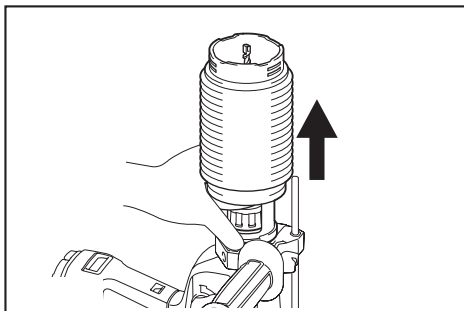
► 1. Tapa guardapolvos

Para extraer el juego contenedor de polvo, retire la punta mientras jala la cubierta del portabrocas en la dirección de la flecha.

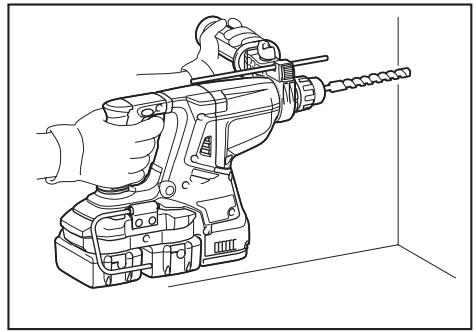
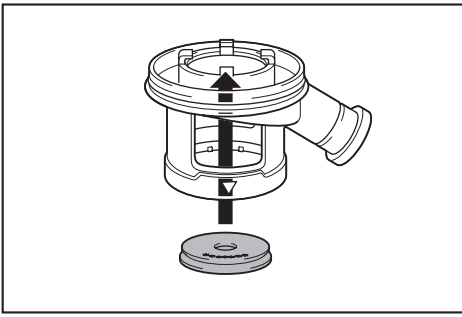


► 1. Punta 2. Cubierta del portabrocas

Tome el contenedor de polvo desde la raíz y sáquelo.



NOTA: Si la tapa llega a salirse del contenedor de polvo, fijela con su lado impreso orientado hacia arriba de manera que la ranura en la tapa encaje en la periferia interior del accesorio.



OPERACIÓN

⚠PRECAUCIÓN: Utilice siempre la empuñadura lateral (mango auxiliar) y sujete firmemente la herramienta tanto de la empuñadura lateral como del mango del interruptor durante las operaciones.

⚠PRECAUCIÓN: Asegúrese siempre de que la pieza de trabajo quede asegurada antes de la operación.

⚠PRECAUCIÓN: No jale hacia afuera la herramienta con demasiada fuerza aun si la punta se atora. La pérdida de control podría causar lesiones.

⚠PRECAUCIÓN: El sistema de recolección de polvo está diseñado para perforar en concreto únicamente. No utilice el sistema de recolección de polvo para perforar en metal ni en madera.

⚠PRECAUCIÓN: Cuando vaya a utilizar la herramienta con el sistema de recolección de polvo, asegúrese de colocar el filtro en el sistema de recolección de polvo para evitar la inhalación de polvo.

⚠PRECAUCIÓN: Antes de utilizar el sistema de recolección de polvo, verifique que el filtro no esté dañado. El no hacerlo podría causar la inhalación de polvo.

⚠PRECAUCIÓN: El sistema de recolección de polvo recolecta el polvo que se genera en un volumen considerable, sin embargo, es imposible recolectarlo todo.


AVISO: No utilice el sistema de recolección de polvo para taladrado con corona ni cincelado.

AVISO: No utilice el sistema de recolección de polvo para perforar en concreto húmedo ni lo utilice en entornos mojados. El hacerlo podría causar averías.

NOTA: Si el cartucho de batería se encuentra a baja temperatura, la herramienta podría no alcanzar su máxima capacidad. En este caso, caliente el cartucho de batería usando la herramienta sin carga durante un rato a fin de lograr que la herramienta alcance su máxima capacidad.

Operación de taladrado con percusión

⚠PRECAUCIÓN: En el momento de comenzar a penetrar, cuando se obstruye el orificio con virutas y partículas, o cuando se topa contra varillas de refuerzo de concreto, se ejerce una tremenda y repentina fuerza de torsión sobre la herramienta/broca. **Utilice siempre la empuñadura lateral (mango auxiliar) y sujete firmemente la herramienta tanto de la empuñadura lateral como del mango del interruptor durante las operaciones.** El no hacerlo puede provocar la pérdida de control de la herramienta y potencialmente ocasionar lesiones graves.

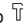
Ajuste la perilla de cambio de modo de accionamiento en el símbolo .

Coloque la broca donde desee hacer el agujero y luego jale el gatillo interruptor. No fuerce la herramienta. Los mejores resultados se obtienen con una ligera presión. Mantenga la herramienta en posición y evite que se deslice y se salga del agujero.

No aplique más presión cuando el agujero se obstruya con astillas o partículas. En vez de esto, haga funcionar la herramienta sin presión y luego retire parcialmente la broca del agujero. Repitiendo esto varias veces, el agujero se limpiará y se podrá reanudar el taladrado de manera normal.

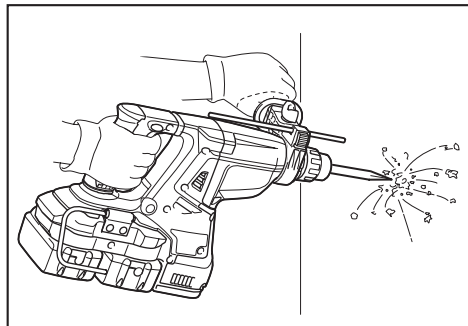
NOTA: Es posible que se produzca excentricidad en la rotación de la broca al operar la herramienta sin carga. La herramienta se centrará automáticamente durante la operación. Esto no afectará la precisión en el taladrado.

Cinzelado/desincrustación/ demolición

Ajuste la perilla de cambio de modo de accionamiento en el símbolo .

Sujete la herramienta firmemente con ambas manos. Encienda la herramienta y aplique una ligera presión sobre ella de manera que no rebote de forma descontrolada.

Aplicar mucha presión sobre la herramienta no incrementará la eficiencia.



Taladrado en madera o metal

⚠️PRECAUCIÓN: Sujete firmemente la herramienta y tenga cuidado cuando la broca de taladro comience a penetrar en la pieza de trabajo. La fuerza ejercida en la herramienta/broca de taladro al momento de la penetración es enorme.


⚠️PRECAUCIÓN: Para extraer una broca de taladro atorada, basta simplemente con ajustar el interruptor de inversión en rotación inversa para hacerla retroceder. Sin embargo, la herramienta puede retroceder bruscamente si no la sujeta con firmeza.

⚠️PRECAUCIÓN: Asegure siempre las piezas de trabajo con un tornillo de banco o dispositivo de sujeción similar.

⚠️AVISO: Nunca use la “rotación con percusión” cuando el portabrocas adaptador esté instalado en la herramienta. Esto podría causar daños al portabrocas adaptador.

Asimismo, el portabrocas adaptador podría salirse al invertir la rotación de la herramienta.

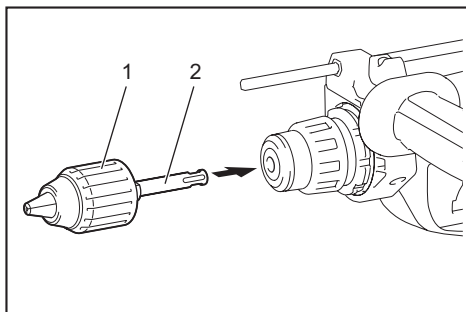
⚠️AVISO: Ejercer una presión excesiva sobre la herramienta no hará que consiga taladrar más rápido. De hecho, una presión excesiva sólo logrará dañar la punta de la broca de taladro, reducir el desempeño y acortar la vida útil de la herramienta.

Ajuste la perilla de cambio de modo de accionamiento en el símbolo .

Para los modelos DHR280/DHR282

Accesorio opcional

Fije el adaptador de mandril en un portabrocas adaptador sin llave en el que pueda instalarse un tornillo que mida 1/2"-20, y después instálelos en la herramienta. Cuando lo instale, consulte la sección “Instalación o extracción de la broca”.

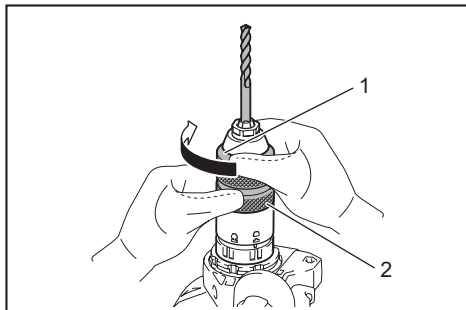


► 1. Portabrocas adaptador sin llave 2. Adaptador de mandril

Para los modelos DHR281/DHR283

Utilice el portabrocas adaptador de cambio rápido como equipo estándar. Cuando lo instale, consulte la sección “Cambio del portabrocas de cambio rápido para SDS-plus”.

Sostenga el anillo y gire el mandril en sentido inverso al de las manecillas del reloj para abrir las mordazas del portabrocas. Coloque la punta en el mandril hasta que llegue al tope. Sostenga el anillo firmemente y gire el mandril en el sentido de las manecillas del reloj para apretar el portabrocas.




► 1. Mandril 2. Anillo

Para extraer la punta, sostenga el anillo y gire el mandril en sentido inverso al de las manecillas del reloj.

Taladrado con punta de corona de diamante

AVISO: Si realiza operaciones de taladrado con punta de corona de diamante usando la acción de “rotación con percusión”, la punta de corona de diamante podría dañarse.

Cuando realice operaciones de taladrado con punta de corona de diamante, ajuste siempre la palanca de cambio en la posición  para utilizar la acción “sólo rotación”.

Sacudir el polvo del filtro

Accesorio opcional

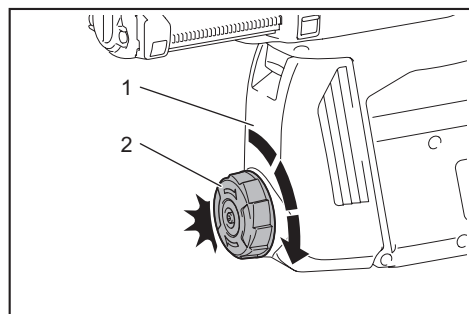
PRECAUCIÓN: No gire el selector de la caja para polvo mientras la caja para polvo se extrae del sistema de recolección de polvo. De lo contrario puede ocasionarse la inhalación de polvo.

PRECAUCIÓN: Apague siempre la herramienta antes de girar el selector de la caja para polvo. Si se gira el selector mientras la herramienta está en funcionamiento, se puede ocasionar la pérdida del control de la herramienta.

Si se sacude el polvo del filtro en el interior de la caja para polvo, se puede mantener la eficiencia de aspiración y reducir además el número de veces que hay que desechar el polvo.

Gire tres veces el selector de la caja para polvo cada vez que se acumulen 50 000 mm³ de polvo o cuando crea que el rendimiento de aspiración se ha reducido.

NOTA: 50 000 mm³ de polvo equivalen a perforar 10 orificios de $\varnothing 10$ mm y 65 mm de profundidad (14 orificios de $\varnothing 3/8$ " y 2" de profundidad).



► 1. Caja para polvo 2. Selector

Eliminación del polvo

Accesorio opcional

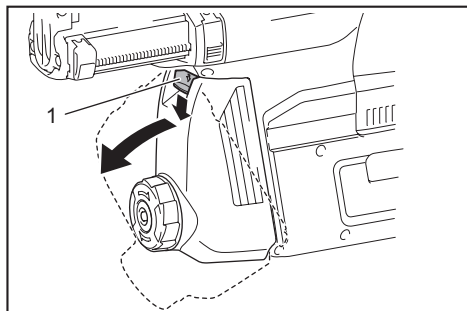
PRECAUCIÓN: Asegúrese siempre de que la herramienta esté apagada y el cartucho de batería haya sido extraído antes de realizar cualquier trabajo en la misma.

PRECAUCIÓN: Cuando vaya a proceder a eliminar el polvo, asegúrese de usar una máscara contra polvo.

PRECAUCIÓN: Vacíe la caja para polvo regularmente antes de que ésta se llene. El no hacerlo podría reducir el desempeño de la recolección de polvo y causar la inhalación de polvo.

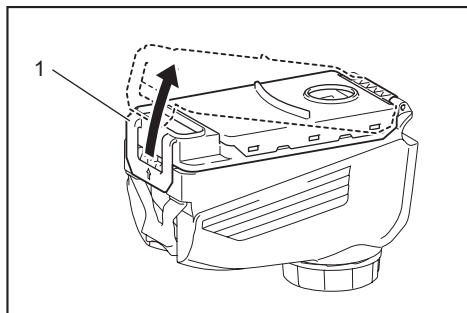
PRECAUCIÓN: El desempeño de la recolección de polvo se verá reducido si el filtro en la caja para polvo llega a obstruirse. Como referencia, reemplace el filtro con uno nuevo después de aproximadamente 200 veces que la caja se haya llenado de polvo. El no hacerlo podría causar la inhalación de polvo.

1. Extraiga la caja para polvo mientras presiona hacia abajo la palanca de la caja para polvo.



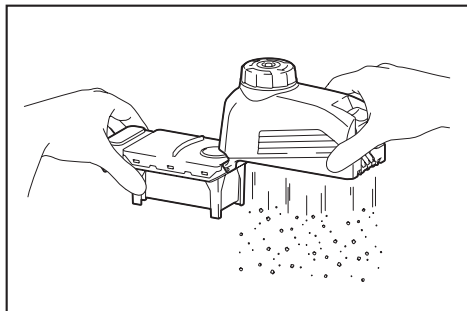
► 1. Palanca

2. Abra la cubierta de la caja para polvo.



► 1. Cubierta

3. Elimine el polvo y luego limpie el filtro.

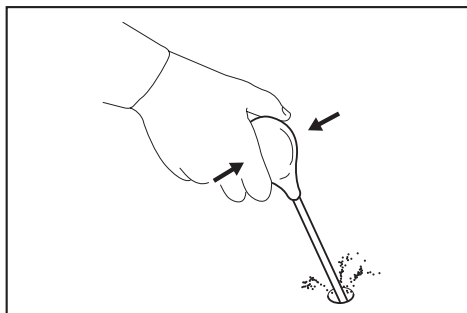


AVISO: Cuando limpie el filtro, evite tocarlo con un cepillo u objeto similar, ni sople aire comprimido al filtro. El hacerlo podría causar daños al filtro.

Soplador

Accesorio opcional

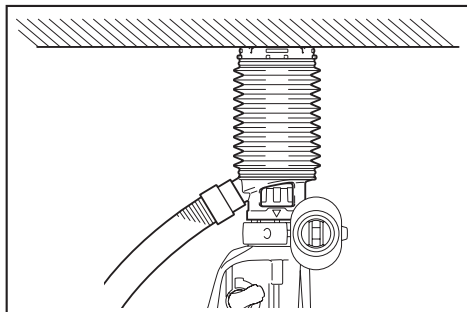
Después de perforar el agujero, utilice el soplador para limpiar el polvo del agujero.



Uso del juego contenedor de polvo

Accesorio opcional

Fije el juego contenedor de polvo contra el techo cuando opere la herramienta.



AVISO: No utilice el juego contenedor de polvo cuando perforo en metal o un material similar. Esto podría dañar el juego contenedor de polvo debido al calor producido por las pequeñas partículas de polvo de metal o material similar.

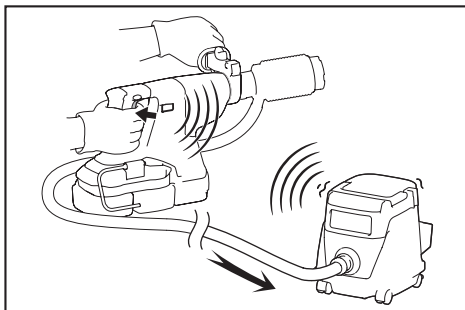
AVISO: No instale ni extraiga el juego contenedor de polvo con la broca instalada en la herramienta. Esto podría dañar el juego contenedor de polvo y causar la filtración de polvo.

FUNCIÓN DE ACTIVACIÓN INALÁMBRICA

Accesorio opcional para los modelos DHR282/ DHR283

Lo que puede hacer con la función de activación inalámbrica

La función de activación inalámbrica permite una operación limpia y cómoda. Si conecta a la herramienta una aspiradora compatible, podrá hacer que ésta funcione automáticamente al activar el interruptor de la herramienta.



Para hacer uso de la función de activación inalámbrica, tenga preparado lo siguiente:

- Una unidad inalámbrica (accesorios opcionales)
- Una aspiradora compatible con la función de activación inalámbrica

A continuación se presenta la descripción general del ajuste de la función de activación inalámbrica. Consulte cada sección para ver los procedimientos a detalle.

1. Instalación de la unidad inalámbrica
2. Registro de la herramienta para la aspiradora
3. Inicio de la función de activación inalámbrica

Instalación de la unidad inalámbrica

Accesorio opcional

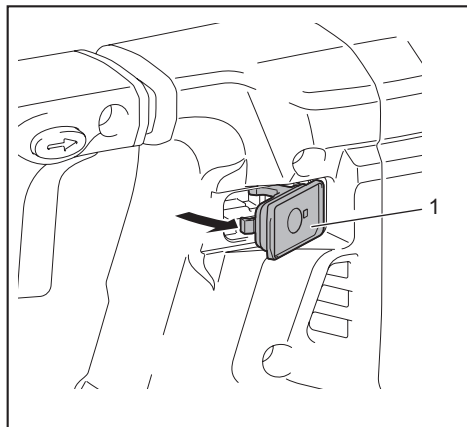
⚠ PRECAUCIÓN: Coloque la herramienta sobre una superficie plana y estable cuando vaya a instalar la unidad inalámbrica.

AVISO: Limpie el polvo y la suciedad en la herramienta antes de instalar la unidad inalámbrica. El polvo o la suciedad podrían causar una avería si llegan a introducirse en la ranura de la unidad inalámbrica.

AVISO: Para evitar una avería a causa de la electricidad estática, toque un material de descarga de electricidad estática, tal como una pieza metálica de la herramienta antes de levantar la unidad inalámbrica.

AVISO: Cuando vaya a instalar la unidad inalámbrica, asegúrese siempre de que ésta sea insertada en la dirección correcta y que la tapa esté completamente cerrada.

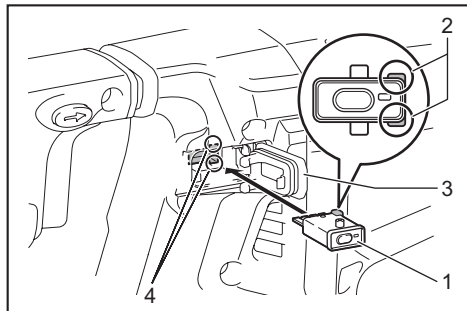
1. Abra la tapa en la herramienta tal como se muestra en la ilustración.



1. Tapa

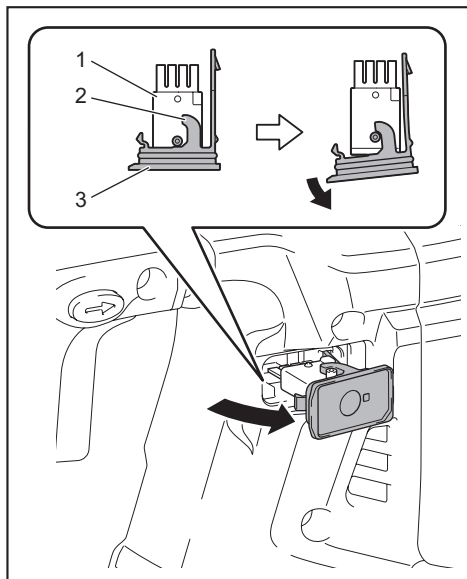
2. Inserte la unidad inalámbrica en la ranura y luego cierre la tapa.

Cuando inserte la unidad inalámbrica, alinee las partes salientes con las partes cóncavas en la ranura.



1. Unidad inalámbrica 2. Parte saliente 3. Tapa 4. Parte cóncava

Cuando extraiga la unidad inalámbrica, abra la tapa lentamente. Los ganchos en la parte posterior de la tapa levantarán la unidad inalámbrica mientras usted jala hacia arriba la tapa.



1. Unidad inalámbrica 2. Gancho 3. Tapa

Una vez extraída la unidad inalámbrica, guárdela en el estuche suministrado o en un contenedor libre de electricidad estática.

AVISO: Use siempre los ganchos en la parte posterior de la tapa cuando extraiga la unidad inalámbrica. Si los ganchos no sujetan la unidad inalámbrica, cierre la tapa por completo y vuelva a abrirla lentamente.

Registro de la herramienta para la aspiradora

NOTA: Para el registro de la herramienta, se requiere una aspiradora Makita compatible con la función de activación inalámbrica.

NOTA: Termine de instalar la unidad inalámbrica en la herramienta antes de comenzar con el registro de la herramienta.

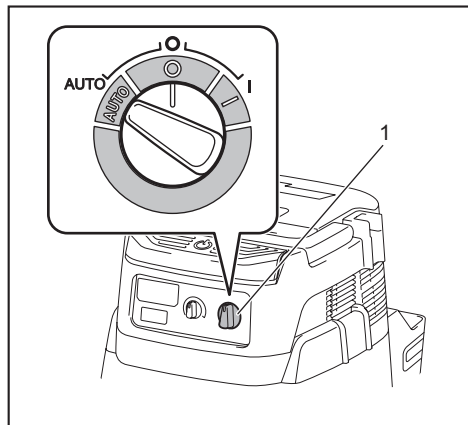
NOTA: Durante el registro de la herramienta, no jale el gatillo interruptor ni active el interruptor de encendido en la aspiradora.

NOTA: Consulte también el manual de instrucciones de la aspiradora.

Si desea activar la aspiradora junto con el interruptor de la herramienta, termine antes con el registro de la herramienta.

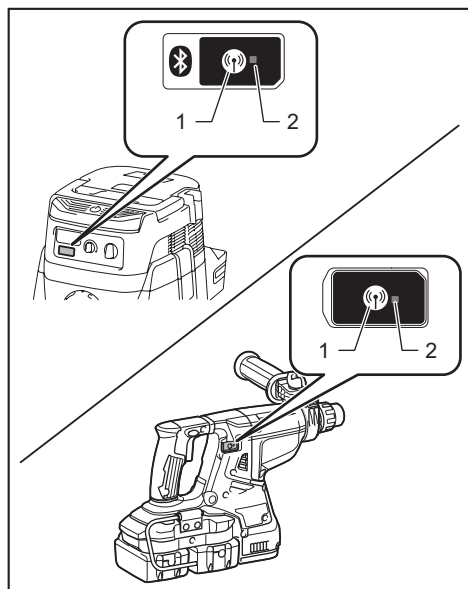
1. Instale las baterías en la aspiradora y en la herramienta.

2. Ajuste el interruptor de modo en espera en la aspiradora en "AUTO".



- 1. Interruptor de modo en espera

3. Oprima el botón de activación inalámbrica en la aspiradora durante 3 segundos hasta que la luz indicadora de activación inalámbrica parpadee en verde. Y luego oprima el botón de activación inalámbrica en la herramienta de la misma manera.



- 1. Botón de activación inalámbrica 2. Luz indicadora de activación inalámbrica

Si la aspiradora y la herramienta han sido conectadas exitosamente, las luces indicadoras de activación inalámbrica se encenderán en verde durante 2 segundos y comenzarán a parpadear en azul.

NOTA: Las luces indicadoras de activación inalámbrica terminarán parpadeando en verde después de un lapso de 20 segundos. Oprima el botón de activación inalámbrica en la herramienta mientras la luz indicadora de activación inalámbrica en la aspiradora esté parpadeando. Si la luz indicadora de activación inalámbrica no parpadea en verde, oprima el botón de activación inalámbrica durante un lapso breve y vuelva a mantenerlo oprimido.

NOTA: Cuando realice dos o más registros de la herramienta para una aspiradora, termine el registro de la herramienta de uno en uno.

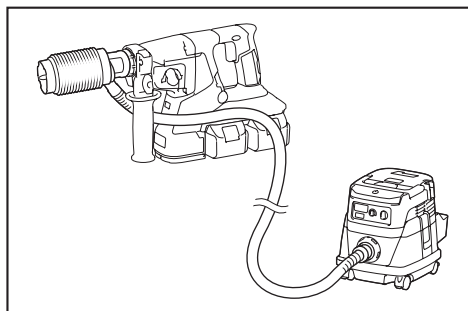
Inicio de la función de activación inalámbrica

NOTA: Termine con el registro de la herramienta para la aspiradora antes de la activación inalámbrica.

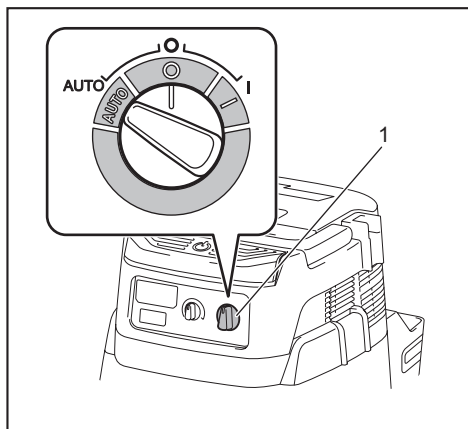
NOTA: Consulte también el manual de instrucciones de la aspiradora.

Después de registrar una herramienta en la aspiradora, esta última se activará automáticamente junto con el interruptor de la herramienta.

1. Instale la unidad inalámbrica en la herramienta.
2. Conecte la manguera de la aspiradora a la herramienta.

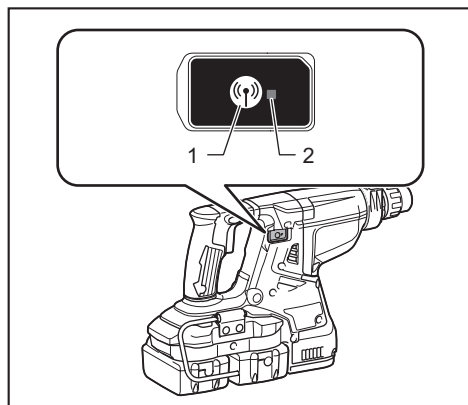


3. Ajuste el interruptor de modo en espera en la aspiradora en "AUTO".



- 1. Interruptor de modo en espera

4. Oprima el botón de activación inalámbrica en la herramienta durante un lapso breve. La luz indicadora de activación inalámbrica parpadeará en azul.



- 1. Botón de activación inalámbrica 2. Luz indicadora de activación inalámbrica

5. Jale el gatillo interruptor de la herramienta. Verifique que la aspiradora funcione mientras jala el gatillo interruptor.

Para detener la activación inalámbrica de la aspiradora, oprima el botón de activación inalámbrica en la herramienta.

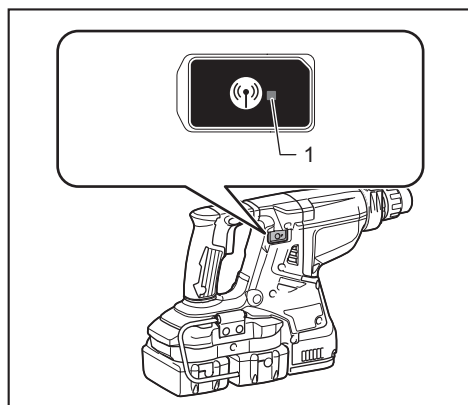
NOTA: La luz indicadora de activación inalámbrica en la herramienta dejará de parpadear en azul cuando no haya operación durante 2 horas. En este caso, ajuste el interruptor de modo en espera en la aspiradora en "AUTO" y oprima el botón de activación inalámbrica en la herramienta nuevamente.

NOTA: La aspiradora funcionará/detendrá con un retraso. Existirá un desfase cuando la aspiradora detecte la activación del interruptor de la herramienta.

NOTA: La distancia de transmisión de la unidad inalámbrica podrá variar en función del lugar y las circunstancias de los alrededores.

NOTA: Cuando dos o más herramientas estén registradas en una aspiradora, esta última podrá comenzar a funcionar incluso si usted no jala el gatillo interruptor debido a que otro usuario está utilizando la función de activación inalámbrica.

Descripción del estado de la luz indicadora de activación inalámbrica



► 1. Luz indicadora de activación inalámbrica

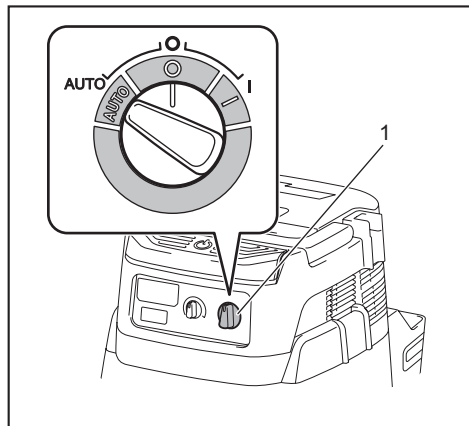
La luz indicadora de activación inalámbrica muestra el estado de la función de activación inalámbrica. Consulte la tabla a continuación para ver qué significa el estado de la luz indicadora.

Estado	Luz indicadora de activación inalámbrica				Descripción
	Color	<input type="checkbox"/> Encendida	<input type="checkbox"/> Parpadeando	Duración	
En espera	Azul	<input checked="" type="checkbox"/>	<input type="checkbox"/>	2 horas	La activación inalámbrica de la aspiradora está disponible. La luz se apagará automáticamente cuando no se realice ninguna operación durante 2 horas.
		<input type="checkbox"/>	<input checked="" type="checkbox"/>	Cuando la herramienta está funcionando.	La activación inalámbrica de la aspiradora está disponible y la herramienta está funcionando.
Registro de la herramienta	Verde	<input checked="" type="checkbox"/>	<input type="checkbox"/>	20 segundos	Ya se puede realizar el registro de la herramienta. Esperando el registro por parte de la aspiradora.
		<input type="checkbox"/>	<input checked="" type="checkbox"/>	2 segundos	El registro de la herramienta ha terminado. La luz indicadora de activación inalámbrica comenzará a parpadear en azul.
Cancelación del registro de la herramienta	Rojo	<input checked="" type="checkbox"/>	<input type="checkbox"/>	20 segundos	Ya se puede cancelar el registro de la herramienta. Esperando la cancelación por parte de la aspiradora.
		<input type="checkbox"/>	<input checked="" type="checkbox"/>	2 segundos	La cancelación del registro de la herramienta ha terminado. La luz indicadora de activación inalámbrica comenzará a parpadear en azul.
Otros	Rojo	<input type="checkbox"/>	<input checked="" type="checkbox"/>	3 segundos	La energía es suministrada a la unidad inalámbrica y la función de activación inalámbrica está arrancando.
	Apagada	-	-	-	La activación inalámbrica de la aspiradora se ha detenido.

Cancelación del registro de la herramienta para la aspiradora

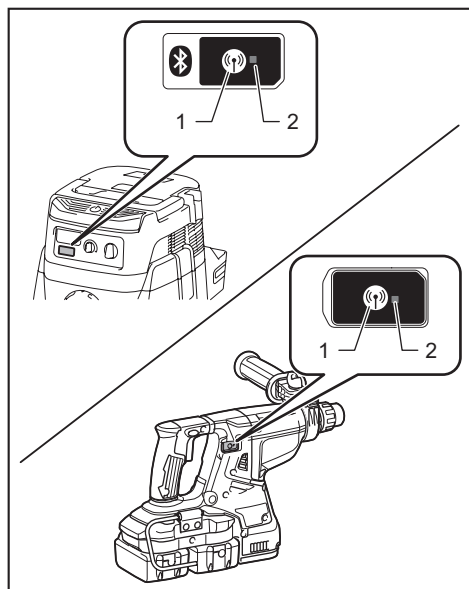
Realice el siguiente procedimiento para cancelar el registro de la herramienta para la aspiradora.

1. Instale las baterías en la aspiradora y en la herramienta.
2. Ajuste el interruptor de modo en espera en la aspiradora en "AUTO".



- 1. Interruptor de modo en espera

3. Oprima el botón de activación inalámbrica en la aspiradora durante 6 segundos. La luz indicadora de activación inalámbrica parpadeará en verde y luego se pondrá en rojo. Después de eso, oprima el botón de activación inalámbrica en la herramienta de la misma manera.



- 1. Botón de activación inalámbrica 2. Luz indicadora de activación inalámbrica

Si la cancelación se realiza exitosamente, las luces indicadoras de activación inalámbrica se encenderán en rojo durante 2 segundos y comenzarán a parpadear en azul.

NOTA: Las luces indicadoras de activación inalámbrica terminarán parpadearando en rojo después de un lapso de 20 segundos. Oprima el botón de activación inalámbrica en la herramienta mientras la luz indicadora de activación inalámbrica en la aspiradora esté parpadearando. Si la luz indicadora de activación inalámbrica no parpadea en rojo, oprima el botón de activación inalámbrica durante un lapso breve y vuelva a mantenerlo oprimido.

DetECCIÓN Y SOLUCIÓN DE PROBLEMAS PARA LA FUNCIÓN DE ACTIVACIÓN INALÁMBRICA

Antes de solicitar alguna reparación, primero realice una inspección por su cuenta. Si detecta algún problema que no esté explicado en el manual, no intente desensamblar la herramienta. En vez de esto, solicite la reparación a un centro de servicio autorizado de Makita, usando siempre piezas de repuesto Makita.

Estado de la anomalía	Causa probable (avería)	Remedio
La luz indicadora de activación inalámbrica no enciende/parpadea.	La unidad inalámbrica no está instalada en la herramienta. La unidad inalámbrica está instalada incorrectamente en la herramienta.	Instale la unidad inalámbrica correctamente.
	La terminal de la unidad inalámbrica y/o la ranura está sucia.	Retire con cuidado el polvo y la suciedad en la terminal de la unidad inalámbrica y limpie la ranura.
	El botón de activación inalámbrica en la herramienta no se ha oprimido.	Oprima el botón de activación inalámbrica en la herramienta durante un lapso breve.
	El interruptor de modo en espera en la aspiradora no está ajustado en "AUTO".	Ajuste el interruptor de modo en espera en la aspiradora en "AUTO".
	No hay suministro de energía.	Suministre energía a la herramienta y a la aspiradora.
No se puede terminar/cancelar el registro de la herramienta exitosamente.	La unidad inalámbrica no está instalada en la herramienta. La unidad inalámbrica está instalada incorrectamente en la herramienta.	Instale la unidad inalámbrica correctamente.
	La terminal de la unidad inalámbrica y/o la ranura está sucia.	Retire con cuidado el polvo y la suciedad en la terminal de la unidad inalámbrica y limpie la ranura.
	El interruptor de modo en espera en la aspiradora no está ajustado en "AUTO".	Ajuste el interruptor de modo en espera en la aspiradora en "AUTO".
	No hay suministro de energía.	Suministre energía a la herramienta y a la aspiradora.
	Operación incorrecta	Oprima el botón de activación inalámbrica durante un lapso breve y realice los procedimientos de registro/cancelación de la herramienta nuevamente.
	La herramienta y la aspiradora están lejos una de la otra (fuera del rango de transmisión).	Acerque más la herramienta a la aspiradora. La distancia máxima de transmisión es de aproximadamente 10 m, pero puede variar en función de las circunstancias.
	Antes de terminar el registro/cancelación de la herramienta; - el gatillo interruptor en la herramienta se ha jalado; o - el botón de encendido en la aspiradora está activado.	Oprima el botón de activación inalámbrica durante un lapso breve y realice los procedimientos de registro/cancelación de la herramienta nuevamente.
	Los procedimientos de registro para la herramienta o aspiradora no se han terminado.	Realice los procedimientos de registro tanto para la herramienta como para la aspiradora al mismo tiempo.
La perturbación radioeléctrica generada por otros aparatos que emiten ondas de radio de alta intensidad.	Mantenga la herramienta y la aspiradora lejos de aparatos tales como dispositivos Wi-Fi y hornos de microondas.	

Estado de la anomalía	Causa probable (avería)	Remedio
La aspiradora no funciona junto con el interruptor de la herramienta.	La unidad inalámbrica no está instalada en la herramienta. La unidad inalámbrica está instalada incorrectamente en la herramienta.	Instale la unidad inalámbrica correctamente.
	La terminal de la unidad inalámbrica y/o la ranura está sucia.	Retire con cuidado el polvo y la suciedad en la terminal de la unidad inalámbrica y limpie la ranura.
	El botón de activación inalámbrica en la herramienta no se ha oprimido.	Oprima el botón de activación inalámbrica durante un lapso breve y asegúrese de que la luz indicadora de activación inalámbrica esté parpadeando en azul.
	El interruptor de modo en espera en la aspiradora no está ajustado en "AUTO".	Ajuste el interruptor de modo en espera en la aspiradora en "AUTO".
	Más de 10 herramientas están registradas en la aspiradora.	Vuelva a realizar el registro de la herramienta. Si más de 10 herramientas están registradas en la aspiradora, la herramienta registrada al principio se cancelará automáticamente.
	La aspiradora borró todos los registros de la herramienta.	Vuelva a realizar el registro de la herramienta.
	No hay suministro de energía.	Suministre energía a la herramienta y a la aspiradora.
	La herramienta y la aspiradora están lejos una de la otra (fuera del rango de transmisión).	Acerque más la herramienta a la aspiradora. La distancia máxima de transmisión es de aproximadamente 10 m, pero puede variar en función de las circunstancias.
	La perturbación radioeléctrica generada por otros aparatos que emiten ondas de radio de alta intensidad.	Mantenga la herramienta y la aspiradora lejos de aparatos tales como dispositivos Wi-Fi y hornos de microondas.
La aspiradora funciona aun cuando el gatillo interruptor de la herramienta no ha sido jalado.	Otros usuarios están usando la activación inalámbrica de la aspiradora con sus herramientas.	Apague el botón de activación inalámbrica de las demás herramientas o cancele el registro de dichas herramientas.

MANTENIMIENTO

⚠ PRECAUCIÓN: Asegúrese siempre de que la herramienta esté apagada y el cartucho de batería extraído antes de intentar realizar una inspección o mantenimiento.

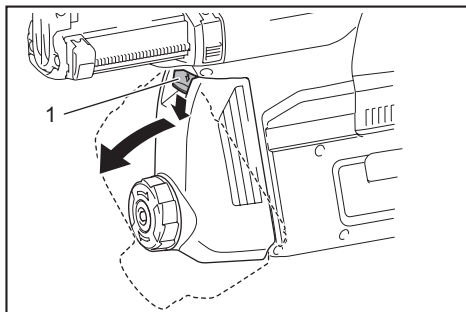
AVISO: Nunca use gasolina, bencina, diluyente (tíner), alcohol o sustancias similares. Puede que esto ocasione grietas o descoloramiento.

Para mantener la SEGURIDAD y FIABILIDAD del producto, las reparaciones, y cualquier otra tarea de mantenimiento o ajuste deberán ser realizadas en centros de servicio autorizados o de fábrica Makita, empleando siempre repuestos Makita.

Reemplazo del filtro de la caja para polvo

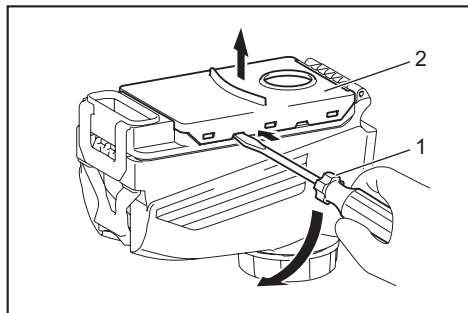
Accesorio opcional

1. Extraiga la caja para polvo mientras presiona hacia abajo la palanca de la caja para polvo.



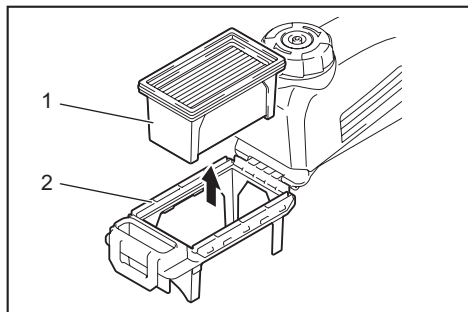
- 1. Palanca

2. Inserte un destornillador de punta plana en las ranuras de la cubierta del filtro para extraer la cubierta del filtro.



- 1. Destornillador de punta plana 2. Cubierta del filtro

3. Extraiga el filtro de la caja del filtro.



- 1. Filtro 2. Caja del filtro

4. Coloque un filtro nuevo en la caja del filtro y luego fije la cubierta del filtro.

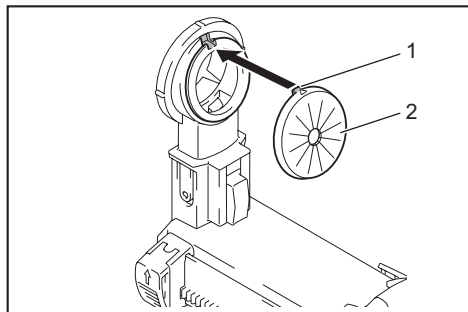
5. Cierre la cubierta de la caja para polvo y luego fíjela en el sistema de recolección de polvo.

Reemplazo del tapón sellador

Accesorio opcional

Si el tapón sellador está desgastado, el desempeño de la recolección de polvo se verá reducido. Reemplácelo si presenta indicios de desgaste.

Retire el tapón sellador y luego coloque uno nuevo con su protuberancia orientada hacia arriba.



- 1. Protuberancia 2. Tapón sellador

ACCESORIOS OPCIONALES

⚠PRECAUCIÓN: Estos accesorios o aditamentos están recomendados para utilizarse con su herramienta Makita especificada en este manual. El empleo de cualquier otro accesorio o aditamento puede conllevar el riesgo de lesiones personales. Utilice los accesorios o aditamentos solamente para su fin establecido.

Si necesita cualquier ayuda para más detalles en relación con estos accesorios, pregunte a su centro de servicio local Makita.

- Brocas con puntas de carburo (puntas de carburo SDS-Plus)
- Punta de corona
- Cíncel de punta
- Punta de corona de diamante
- Cíncel plano
- Cíncel de desincrustación
- Cíncel de ranurado
- Adaptador de mandril
- Portabrocas adaptador sin llave
- Grasa para puntas
- Calibrador de profundidad
- Soplador
- Contenedor de polvo
- Juego contenedor de polvo
- Sistema de recolección de polvo
- Unidad inalámbrica
- Batería y cargador originales de Makita
- Gafas de seguridad
- Maletín de transporte de plástico

NOTA: Algunos de los artículos en la lista pueden incluirse en el paquete de la herramienta como accesorios estándar. Éstos pueden variar de país a país.

GARANTÍA LIMITADA DE MAKITA

Ésta Garantía no aplica para México

Consulte la hoja de la garantía anexa para ver los términos más vigentes de la garantía aplicable a este producto. En caso de no disponer de esta hoja de garantía anexa, consulte los detalles sobre la garantía descritos en el sitio web de su país respectivo indicado a continuación.

Estados Unidos de América: www.makitatools.com

Canadá: www.makita.ca

Otros países: www.makita.com

< USA only >

WARNING

Some dust created by power sanding, sawing, grinding, drilling, and other construction activities contains chemicals known to the State of California to cause cancer, birth defects or other reproductive harm. Some examples of these chemicals are:

- lead from lead-based paints,
- crystalline silica from bricks and cement and other masonry products, and
- arsenic and chromium from chemically-treated lumber.

Your risk from these exposures varies, depending on how often you do this type of work. To reduce your exposure to these chemicals: work in a well ventilated area, and work with approved safety equipment, such as those dust masks that are specially designed to filter out microscopic particles.

< Sólo en los Estados Unidos >

ADVERTENCIA

Algunos polvos creados por el lijado, aserrado, esmerilado, taladrado y otras actividades de la construcción contienen sustancias químicas reconocidas por el Estado de California como causantes de cáncer, defectos de nacimiento y otros peligros de reproducción. Algunos ejemplos de estos productos químicos son:

- plomo de pinturas a base de plomo,
- sílice cristalino de ladrillos y cemento y otros productos de albañilería, y
- arsénico y cromo de maderas tratadas químicamente.

El riesgo al que se expone varía, dependiendo de la frecuencia con la que realice este tipo de trabajo. Para reducir la exposición a estos productos químicos: trabaje en un área bien ventilada y póngase el equipo de seguridad indicado, tal como las máscaras contra polvo que están especialmente diseñadas para filtrar partículas microscópicas.

Makita Corporation

3-11-8, Sumiyoshi-cho,
Anjo, Aichi 446-8502 Japan

www.makita.com

885632C937
DHR280-1
EN, FRCA, ESMX
20180528